

ALLIED



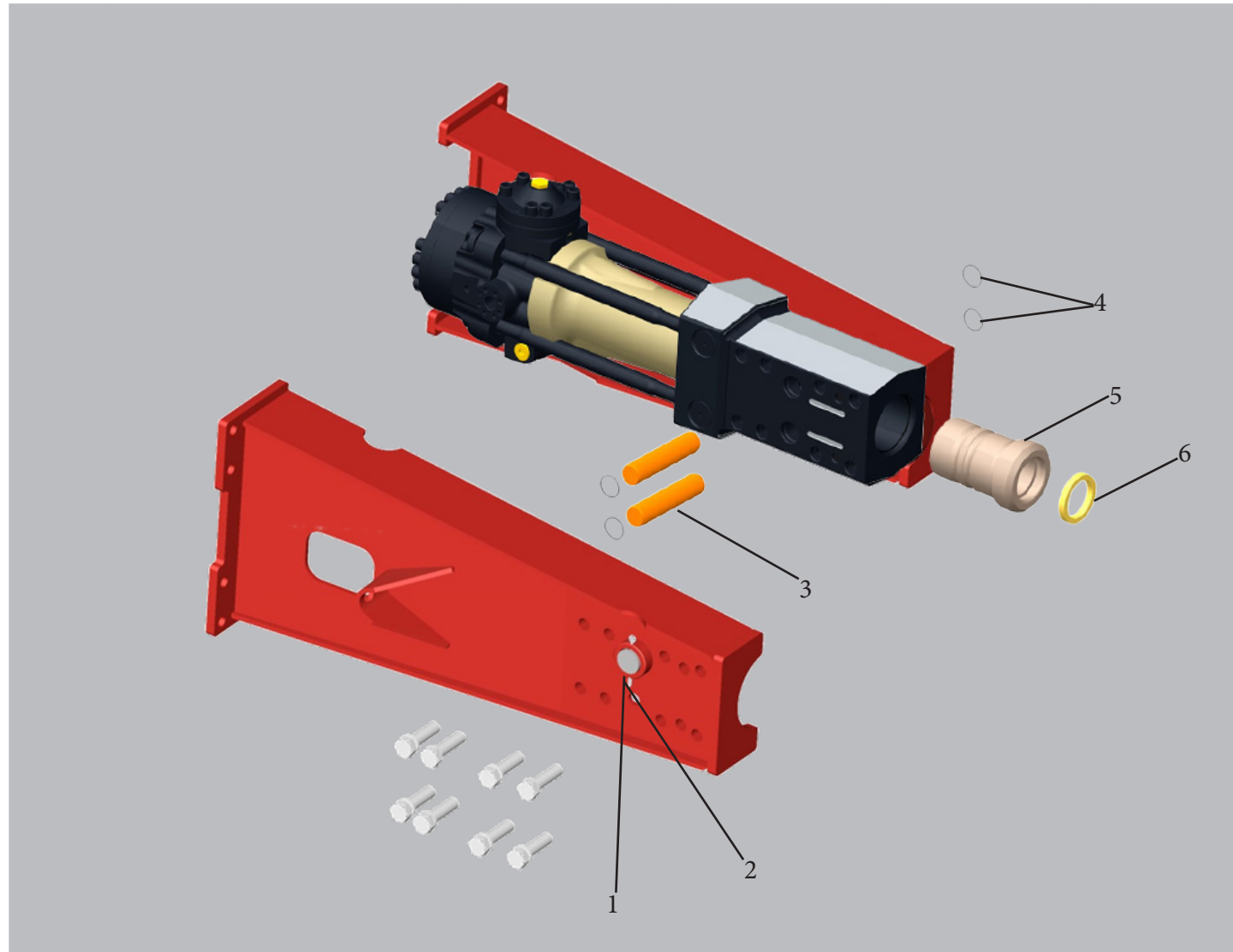
Rammer 1322
Hydraulic Hammer
**SUGGESTED SPARE
PARTS GUIDE**

December 1, 2015



RAMMER 1322
HYDRAULIC IMPACT HAMMER
SUGGESTED SPARE PARTS

NO.	MODEL / DESCRIPTION	1322		QTY.
1	Buffer	400430		2
2	Cotter Pin	901107		2
3	Tool Retaining Pin*	300511		2
4	O-ring	90019		4
5	Lower Tool Bushing*	101025		1
6	Seal	400498		1
	Seal Set*	400668		1

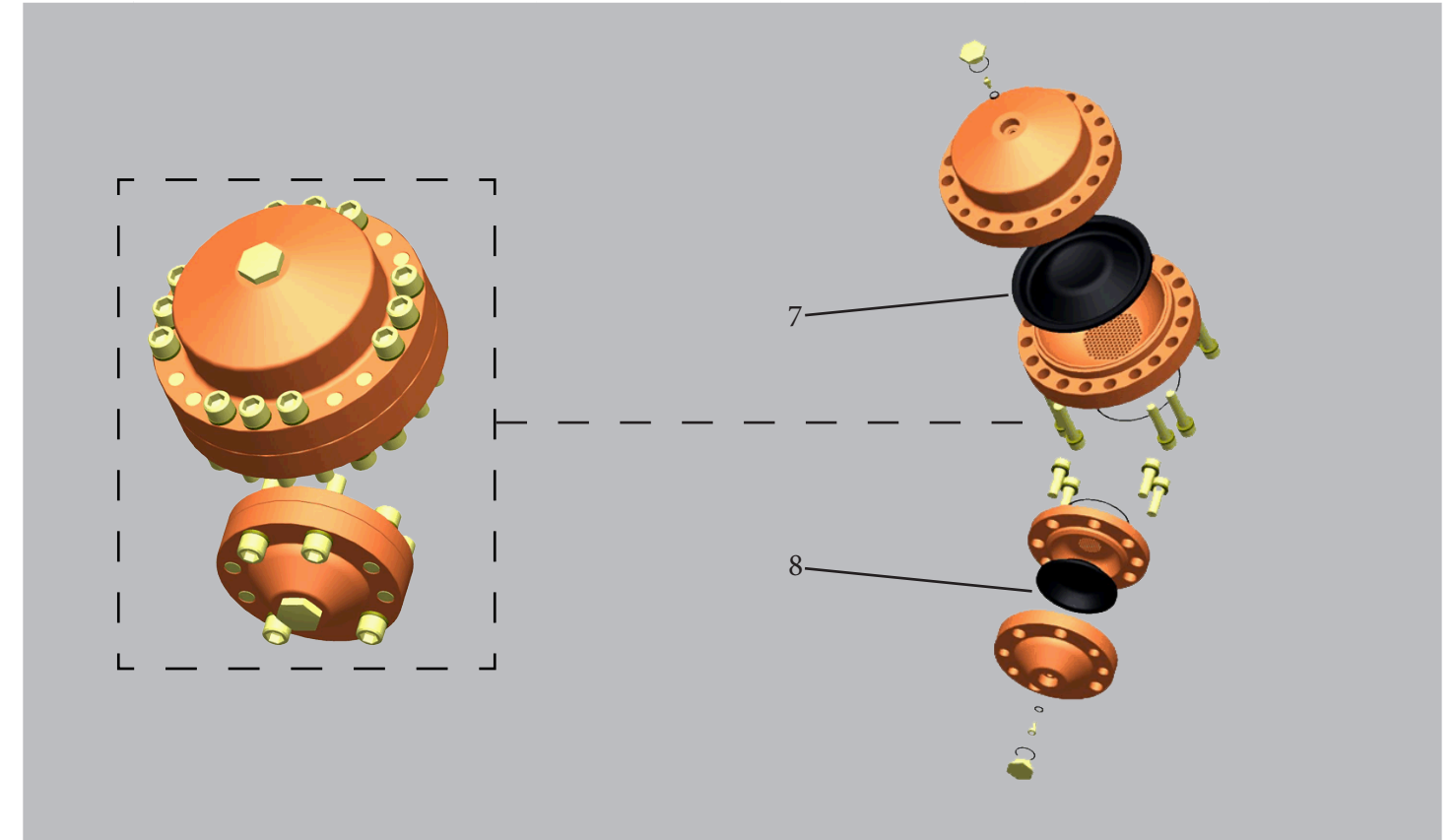


THIS SUGGESTED SPARE PARTS GUIDE SUPERCEDE ALL OTHER SUCH MATERIALS.



RAMMER 1322
HYDRAULIC IMPACT HAMMER
SUGGESTED SPARE PARTS

NO.	MODEL / DESCRIPTION	1322		QTY.
7	Membrane*	300909		1
8	Membrane*	300177		1
	Service Kit	K10029		1



DEMOLITION TOOLS

NO.	MODEL / DESCRIPTION	1322		QTY.
	Chisel Tool	291		1
	Moil Tool	293		1
	Blunt Tool	294		1

(* Denotes parts included in Service Kit

THIS SUGGESTED SPARE PARTS GUIDE SUPERCEDE ALL OTHER SUCH MATERIALS.