

**Allied's
Grouser Bars
for rebuilding
track shoes**

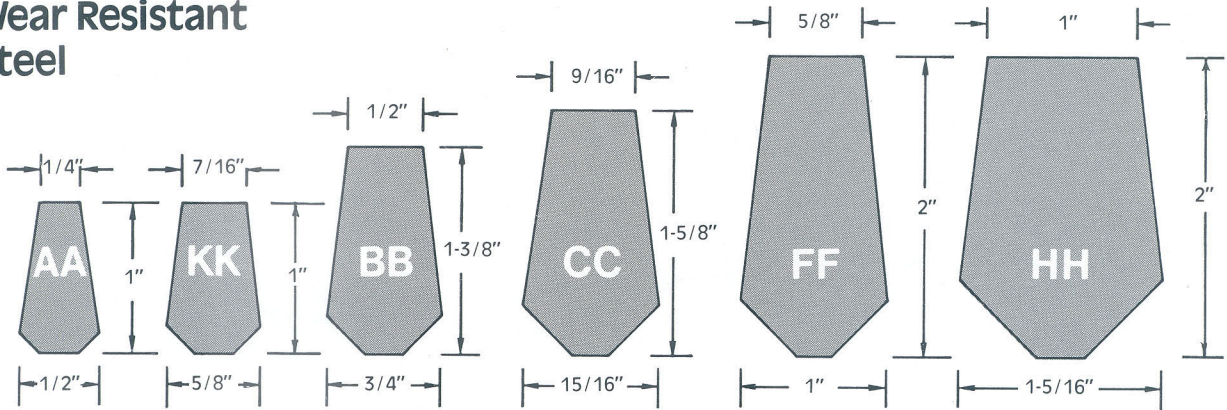
GRIP-LUG[®]

Grip-Lug[®]

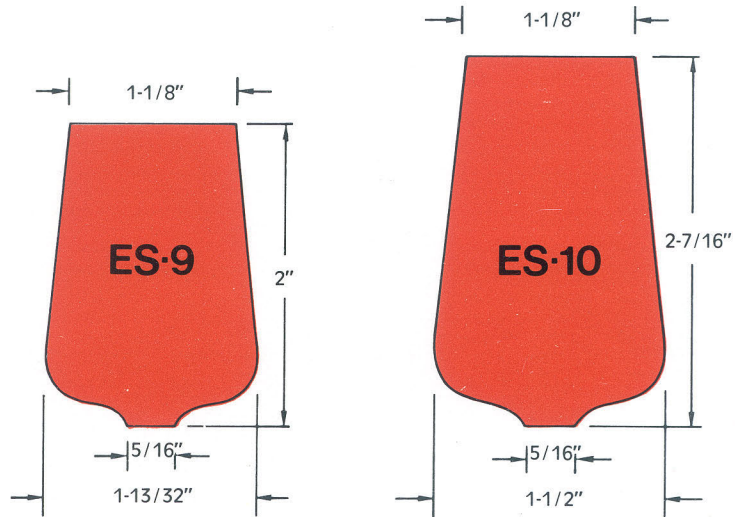
Standard and Extreme Service

Increase your push power, ripping power, and draw bar pull with twelve different shapes for crawler tractor.

**Tough High Carbon,
Wear Resistant
Steel**



**Special Alloy
Heat Treated
Steels**



**FOR SALES AND SERVICE CONTACT
YOUR ALLIED DISTRIBUTOR:**

Monroe Tractor & Implement Co., Inc.
Lehigh Station Rd. at West Henrietta Rd.
Henrietta, New York 14467

ALLIED

STEEL & TRACTOR PRODUCTS, INC.
5800 HARPER ROAD, SOLON, OHIO 44139
(216) 248-2600 / Cable: ALTRAC / Telex: 980192