

ENG B/04

PARTS MANUAL
PMIN8SENG.B04

HYDRAULIC HAMMER

RAMMER in8

Serial No.
8180005-UP

TABLE OF CONTENTS

1. Housing unit	4
2. Accumulator	5
3. Pressure adjusting valve	6
4. Body parts	7
5. Mounting	8
6. Seal set	9

GENUINE RAMMER SPARE PARTS

Rammer genuine spare parts are designed and manufactured by using the latest technological knowledge and engineering skills. Rammer spare parts are made of the best available materials with the most advanced manufacturing techniques.

It is important that you use only genuine Rammer spare parts, to ensure easy operation, maintenance and repair of the product. Please note that eventual warranty claims will be handled only if you have used genuine Rammer parts in your Rammer.

LOCATION OF THE SERIAL NUMBER

It's important to make correct reference to the serial number of the product when ordering spare parts. Identification of serial number is the only proper means of maintaining and identifying parts for a specific product. The location of equipment serial number is pointed in "Operation and maintenance" manual.

SPARE PART ORDERS

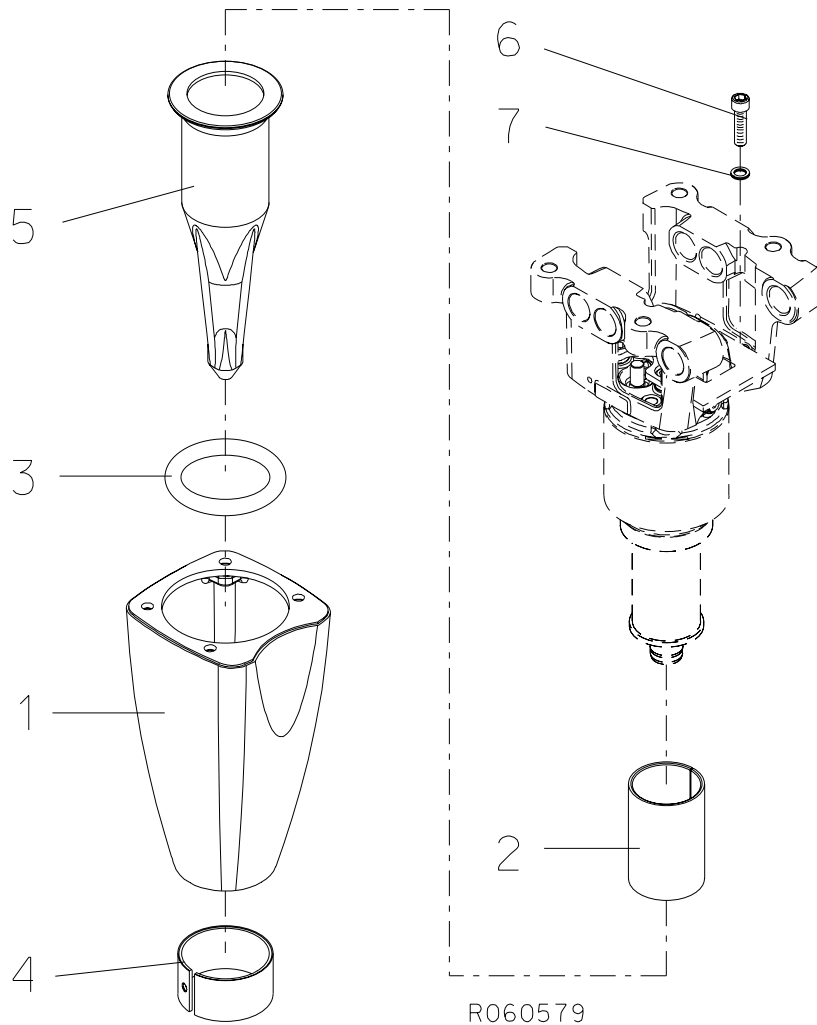
Quick spare part deliveries are secured by exact orders.

Required information:

- Name of customer and contact person
 - Order number (when available)
 - Delivery address
 - Mode of delivery (air mail etc.)
 - Required delivery date
 - Invoicing address
 - Model and serial number of the product
 - Name, number and required amount of spare parts
-

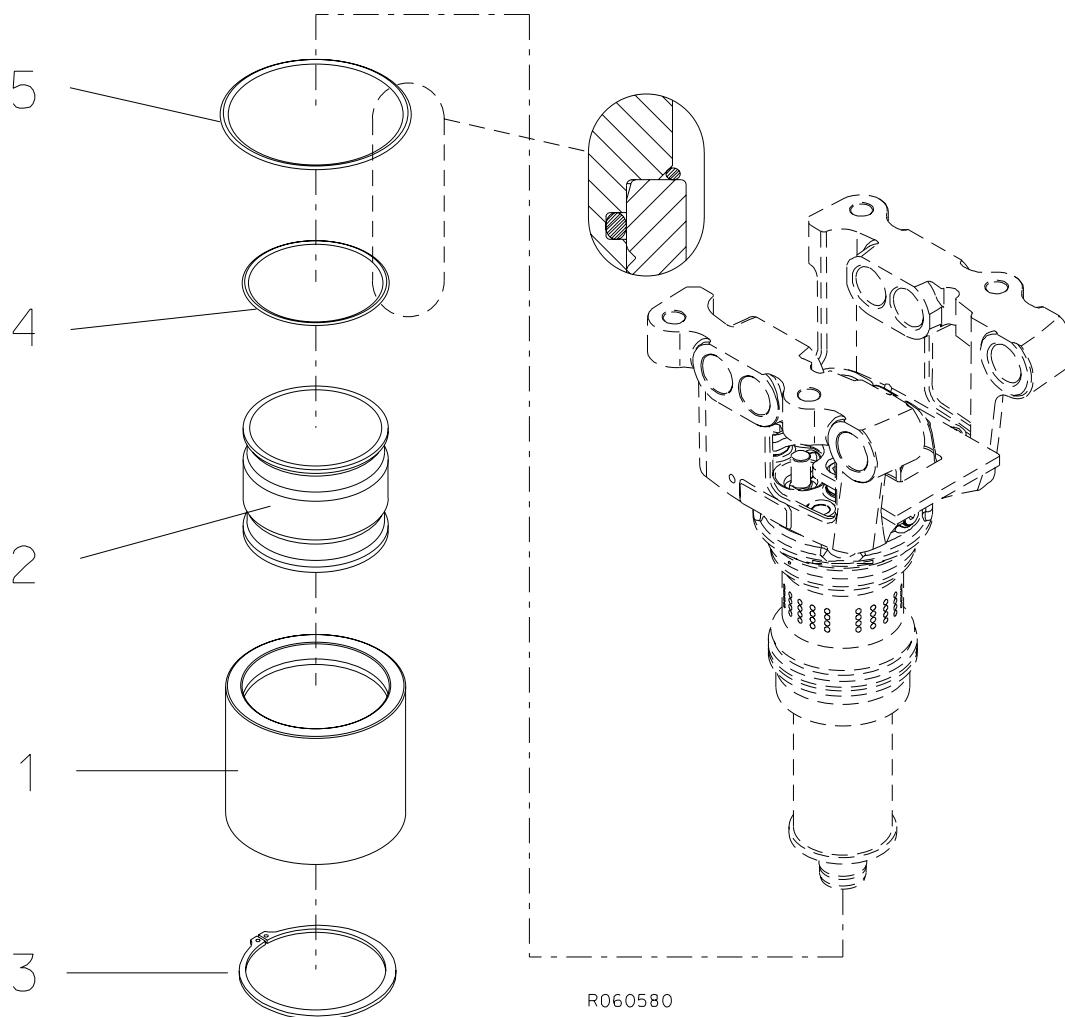
PARTS

1. HOUSING UNIT



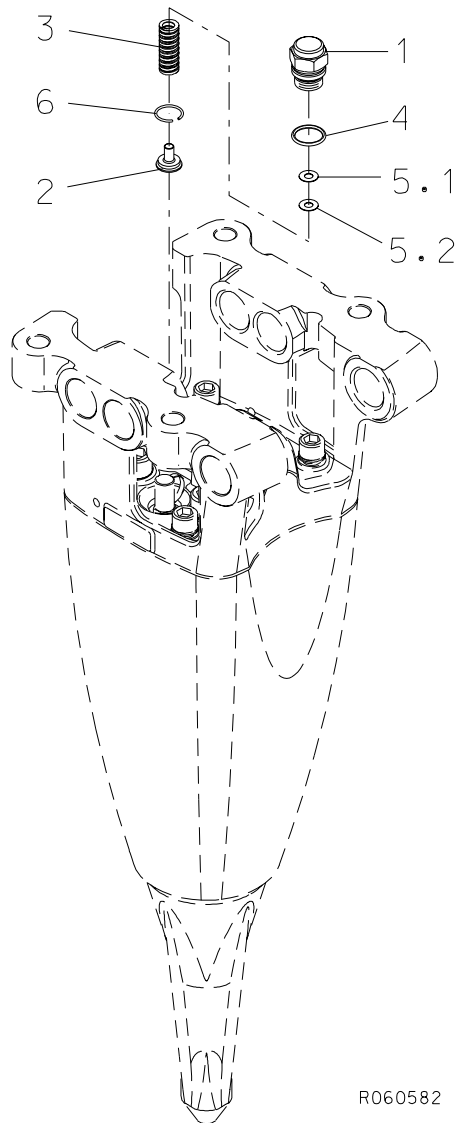
Item	Description	Part no.	Specification	Note	Qty
1	Housing	156889			1
2	Lower tool bushing	113071			1
3	Tool retaining ring	113076			1
4	Guide ring	157143			1
5	Pyramid tool	N63S1			1
6	Hex. socket screw	901902	M12x45-8.8 ISO 4762		4
7	Lock washer	91012	M12 NORD-LOCK		4
Kit	Label set	157231			1

2. ACCUMULATOR



Item	Description	Part no.	Specification	Note	Qty
1	Accumulator cover	157149			1
2	Membrane	113061			1
3	Retaining ring	903391	125x4 DIN 471		1
4	O-ring	90006	D114	*	1
5	O-ring	90023	D130	*	1
	*) Are included in seal set				

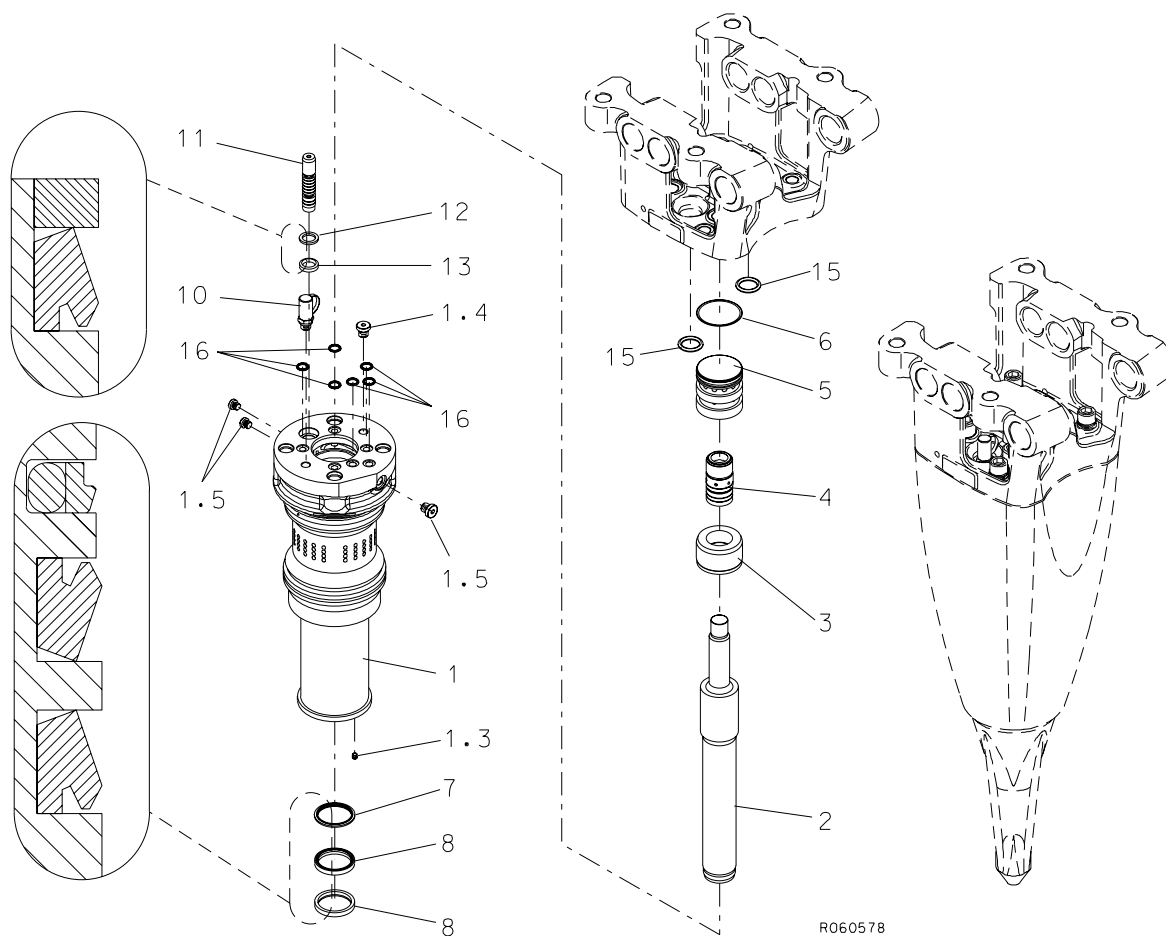
3. PRESSURE ADJUSTING VALVE



R060582

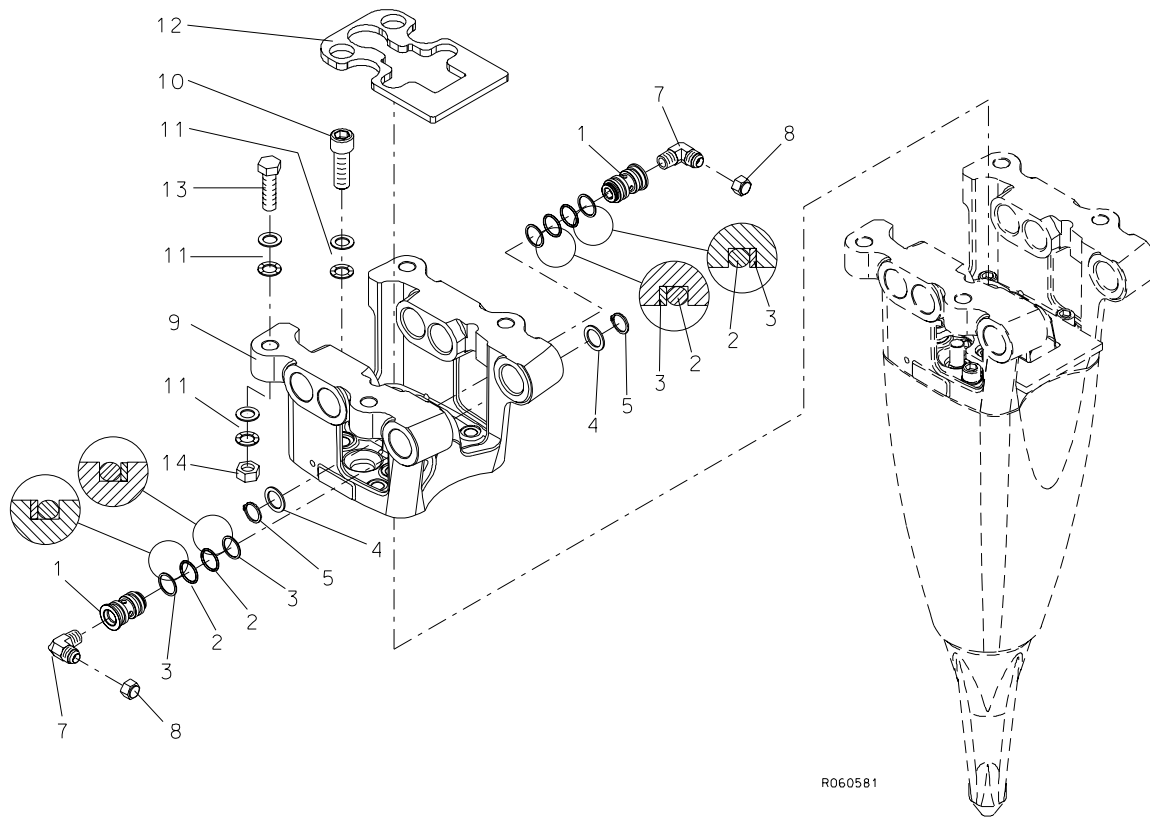
Item	Description	Part no.	Specification	Note	Qty
1	Spring housing	113091			1
2	Spring guide	113006			1
3	Spring	903390	9-1208-21 DANLY		1
4	O-ring	90015	D26	*	1
5.1	Shim plate	41639	S=0.5		x
5.2	Shim plate	41640	S=1		x
6	Spring ring	902988	B25 DIN 7993		1
	*) Are included in seal set				

4. BODY PARTS



Item	Description	Part no.	Specification	Note	Qty
1	Cylinder (incl. parts 1.3-1.5)	156252			1
1.3	Plug	915028			1
1.4	Flange plug	41658	R1/4		1
1.5	Flange plug	93203	R1/8		3
2	Piston	157127			1
3	Steering ring	113041			1
4	Distributor	113031			1
5	Slide ring	113021			1
6	O-ring	94048	D50	*	1
7	Seal	951889		*	1
8	Seal	901179		*	2
10	Accumulator filling valve	903408			1
11	Spool	157150			1
12	Washer	157118			1
13	Seal	951350	D14	*	1
15	O-ring	903223	D30	*	2
16	O-ring	901182	D11	*	6
	*) Are included in seal set				

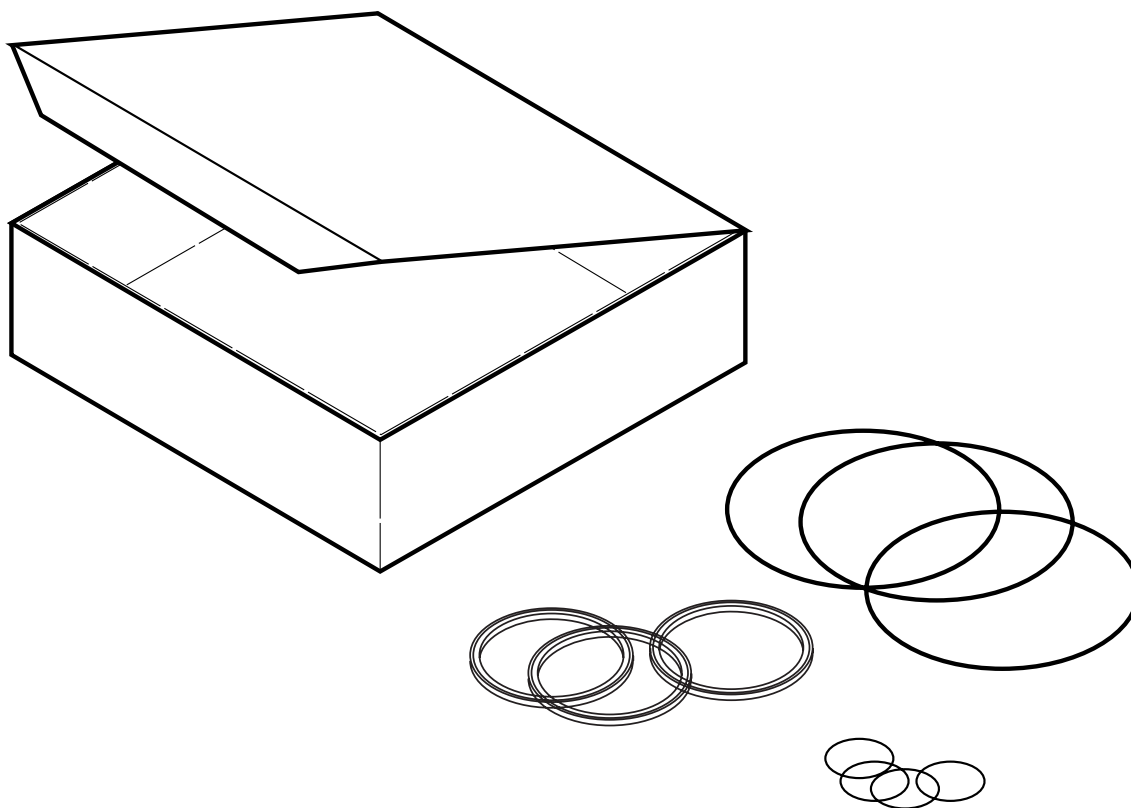
5. MOUNTING



R060581

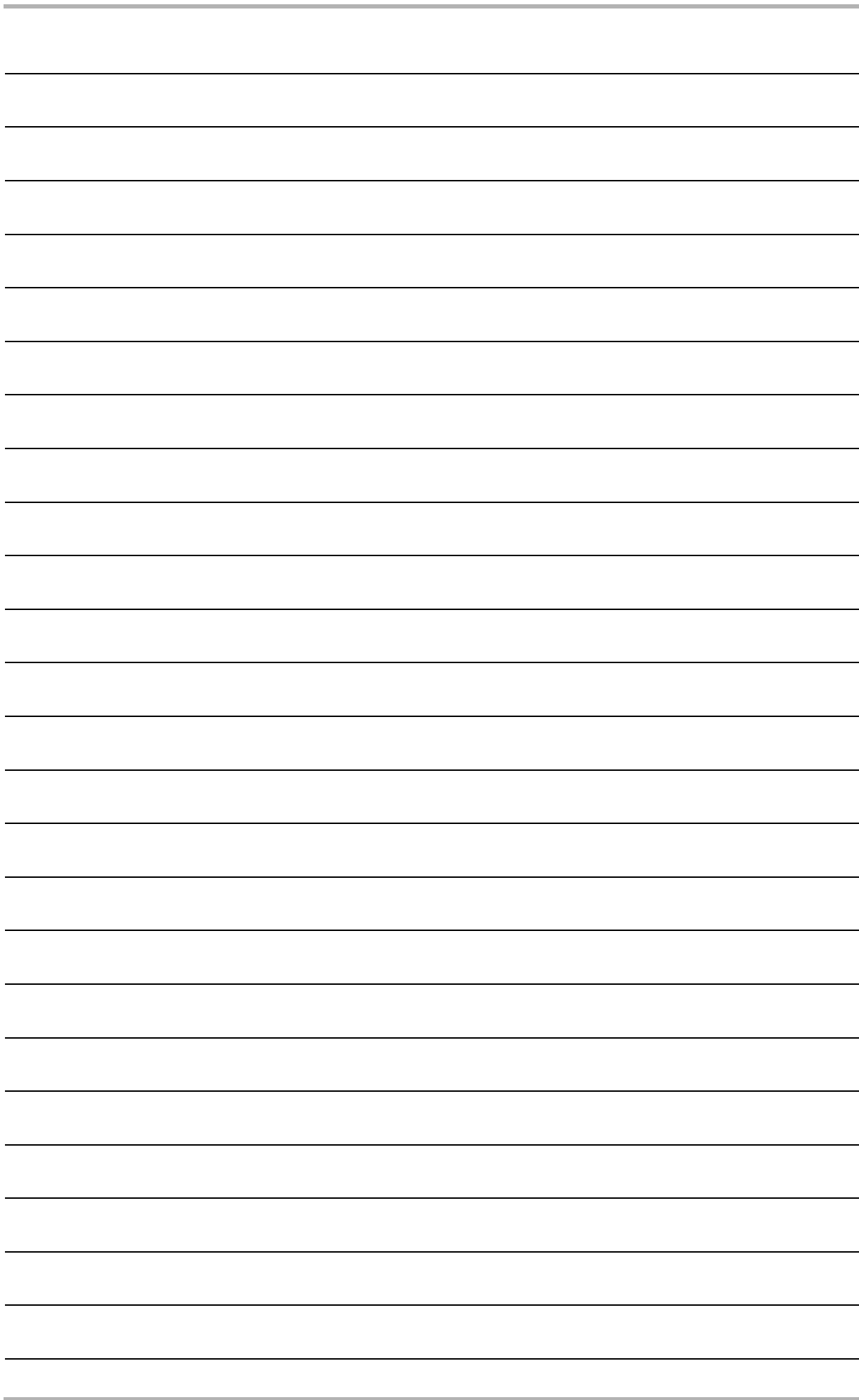
Item	Description	Part no.	Specification	Note	Qty
1	Manifold	113056			2
2	O-ring	90015	D26	*	4
3	Supporting ring	912005	D26	*	4
4	Support plate	903395	SS25x36x2.0 DIN 988		2
5	Retaining ring	950188	25x2 DIN 471		2
7	Elbow	951335			2
8	Cap	93232			2
9	Mounting bracket	156451			1
10	Hex. socket screw	91032	M16x50-8.8 ISO 4762		4
11	Lock washer	90597	M16 NORD-LOCK		12
12	Rubber plate	157154			1
13	Hex. screw	90623	M16x80-8.8 ISO 4014		4
14	Hex. nut	91000	M16-8 ISO 4032		4
	*) Are included in seal set				

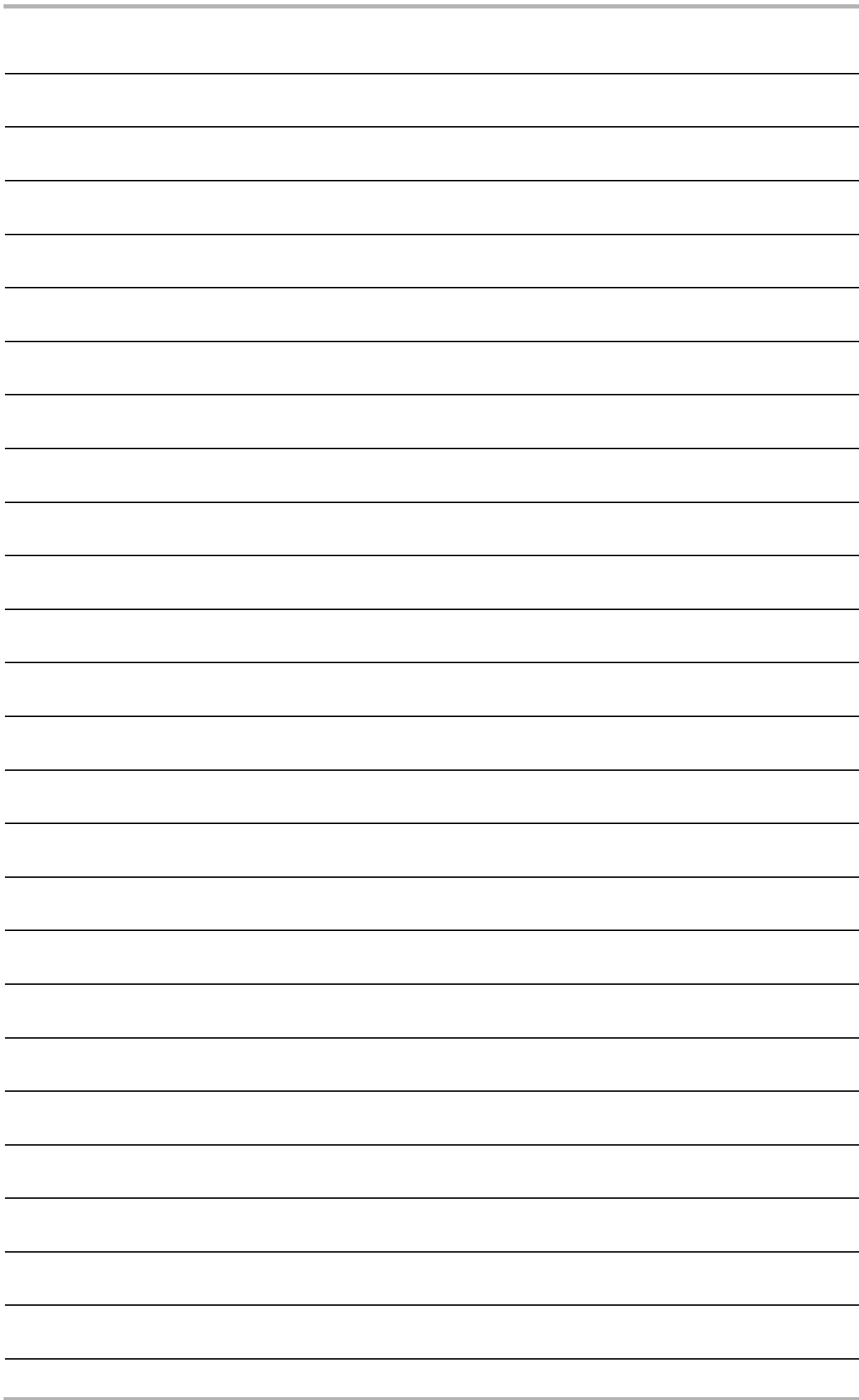
6. SEAL SET



R060012

Item	Description	Part no.	Specification	Note	Qty
Kit	Seal set (incl. parts 1-10)	157277			1
1	O-ring	90015	D26		5
2	Supporting ring	912005	D26		4
3	O-ring	90006	D114		1
4	O-ring	94048	D50		1
5	Seal	951889			1
6	Seal	901179			2
7	Seal	951350	D14		1
8	O-ring	901182	D11		6
9	O-ring	90023	D130		1
10	O-ring	903223	D30		2





Sandvik Tamrock Corp., Breakers Lahti
Taivalkatu 8, P.O. Box 165, FIN-15101 Lahti, Finland
Phone Int. +358 205 44 161, Telefax Int. +358 205 44 160
www.rammer.com