

ENG B/04

PARTS MANUAL
PMIN11SENG.B04

HYDRAULIC HAMMER

RAMMER in11

Serial No.
11180005-UP

TABLE OF CONTENTS

1. Housing unit	4
2. Accumulator	5
3. Pressure adjusting valve	6
4. Body parts	7
5. Mounting	8
6. Seal set	9

GENUINE RAMMER SPARE PARTS

Rammer genuine spare parts are designed and manufactured by using the latest technological knowledge and engineering skills. Rammer spare parts are made of the best available materials with the most advanced manufacturing techniques.

It is important that you use only genuine Rammer spare parts, to ensure easy operation, maintenance and repair of the product. Please note that eventual warranty claims will be handled only if you have used genuine Rammer parts in your Rammer.

LOCATION OF THE SERIAL NUMBER

It's important to make correct reference to the serial number of the product when ordering spare parts. Identification of serial number is the only proper means of maintaining and identifying parts for a specific product. The location of equipment serial number is pointed in "Operation and maintenance" manual.

SPARE PART ORDERS

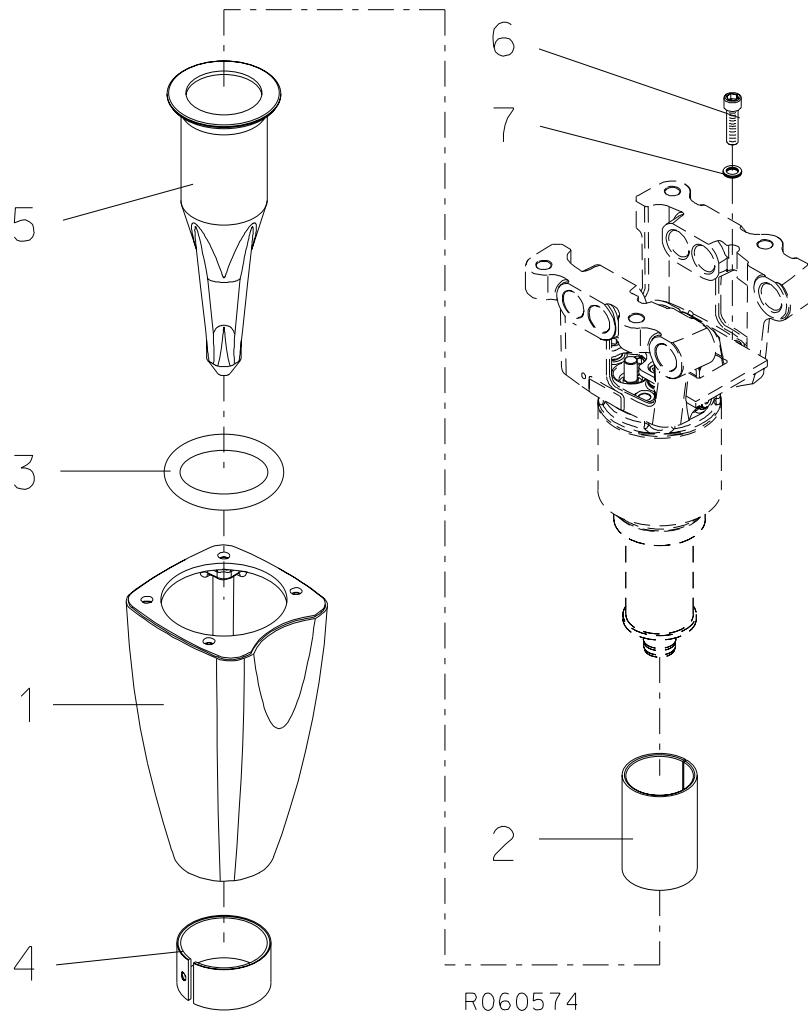
Quick spare part deliveries are secured by exact orders.

Required information:

- Name of customer and contact person
 - Order number (when available)
 - Delivery address
 - Mode of delivery (air mail etc.)
 - Required delivery date
 - Invoicing address
 - Model and serial number of the product
 - Name, number and required amount of spare parts
-

PARTS

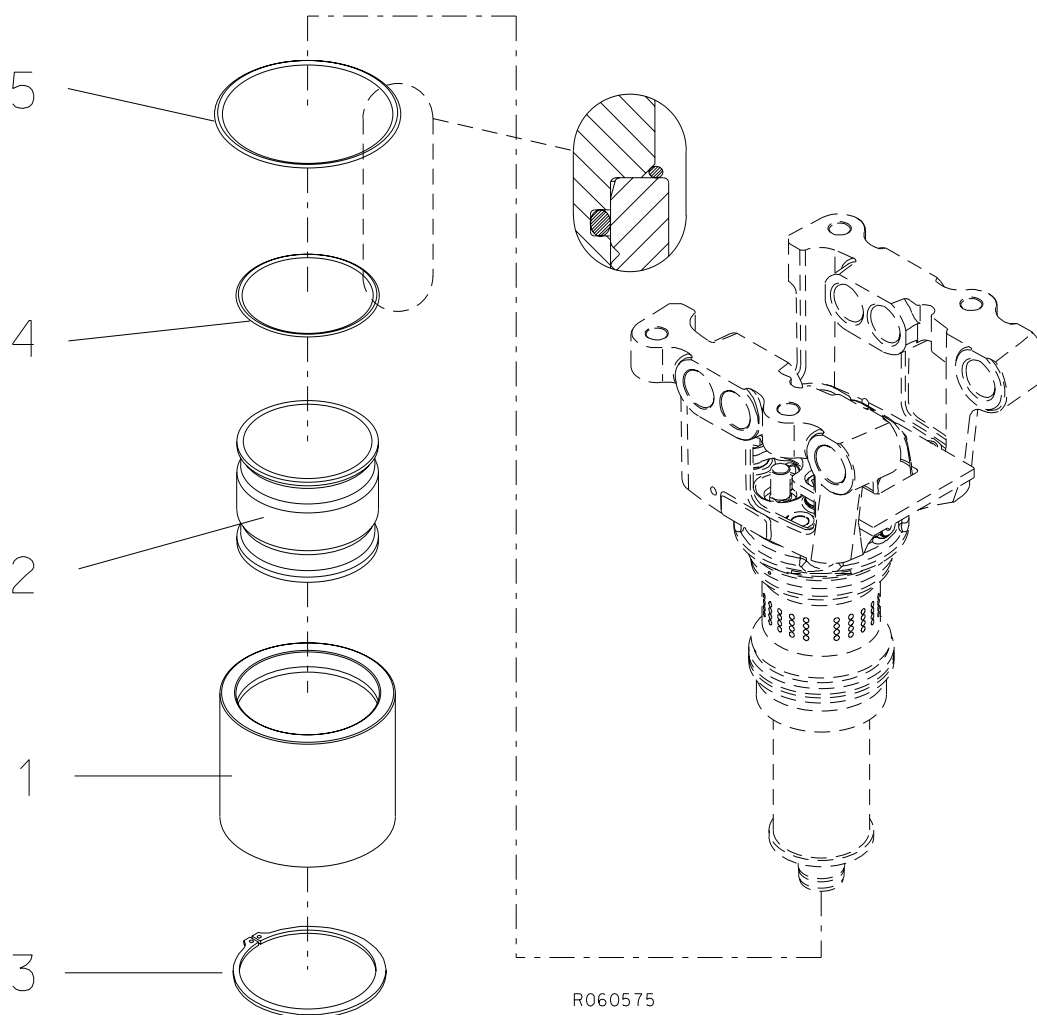
1. HOUSING UNIT



R060574

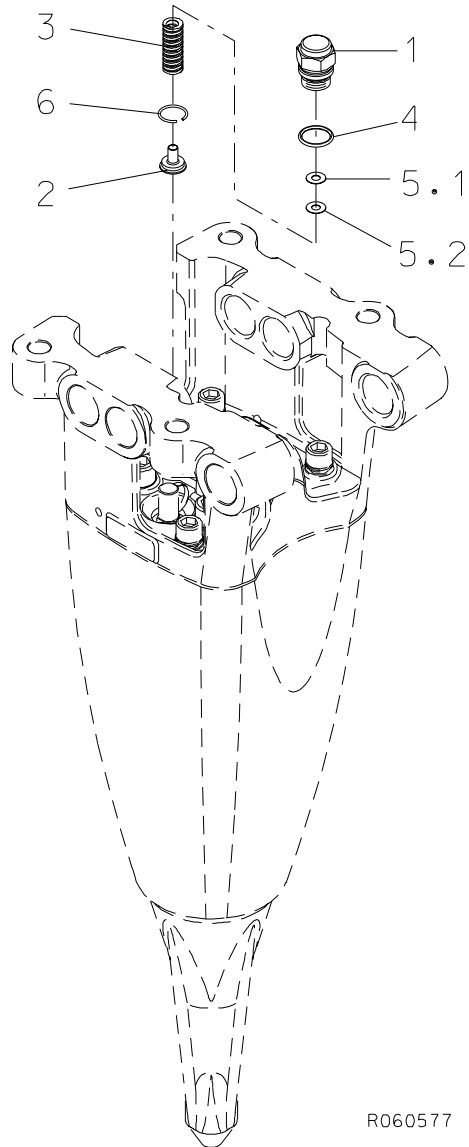
Item	Description	Part no.	Specification	Note	Qty
1	Housing	155003			1
2	Lower tool bushing	113072			1
3	Tool retaining ring	113077			1
4	Guide ring	157142			1
5	Pyramid tool	N93S1			1
6	Hex. socket screw	91006	M16x60-8.8 ISO 4762		4
7	Lock washer	90597	M16 NORD-LOCK		4
Kit	Label set	157232			1

2. ACCUMULATOR



Item	Description	Part no.	Specification	Note	Qty
1	Accumulator cover	157147			1
2	Membrane	113062			1
3	Retaining ring	950060	140x4 DIN 471		1
4	O-ring	90022	D129	*	1
5	O-ring	94136	D150	*	1
	*) Are included in seal set				

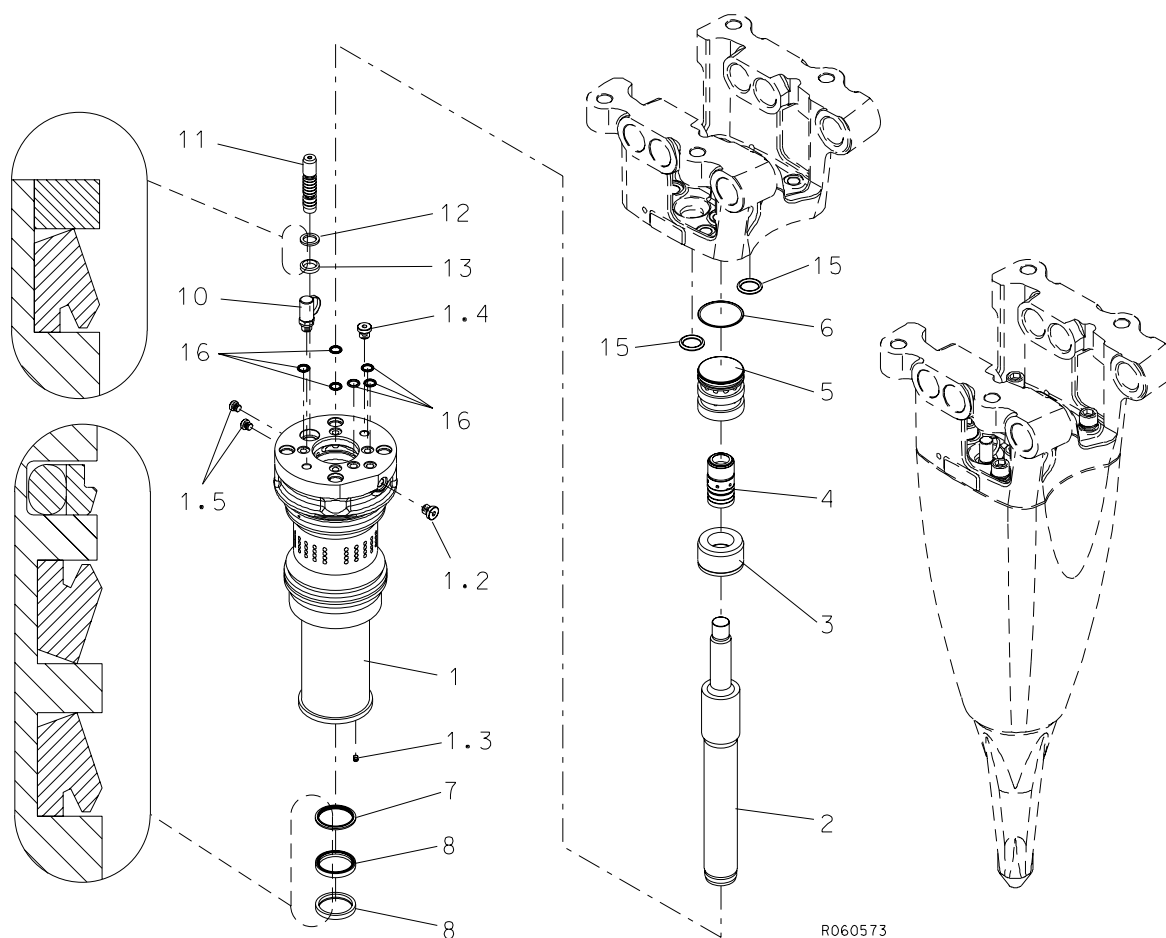
3. PRESSURE ADJUSTING VALVE



R060577

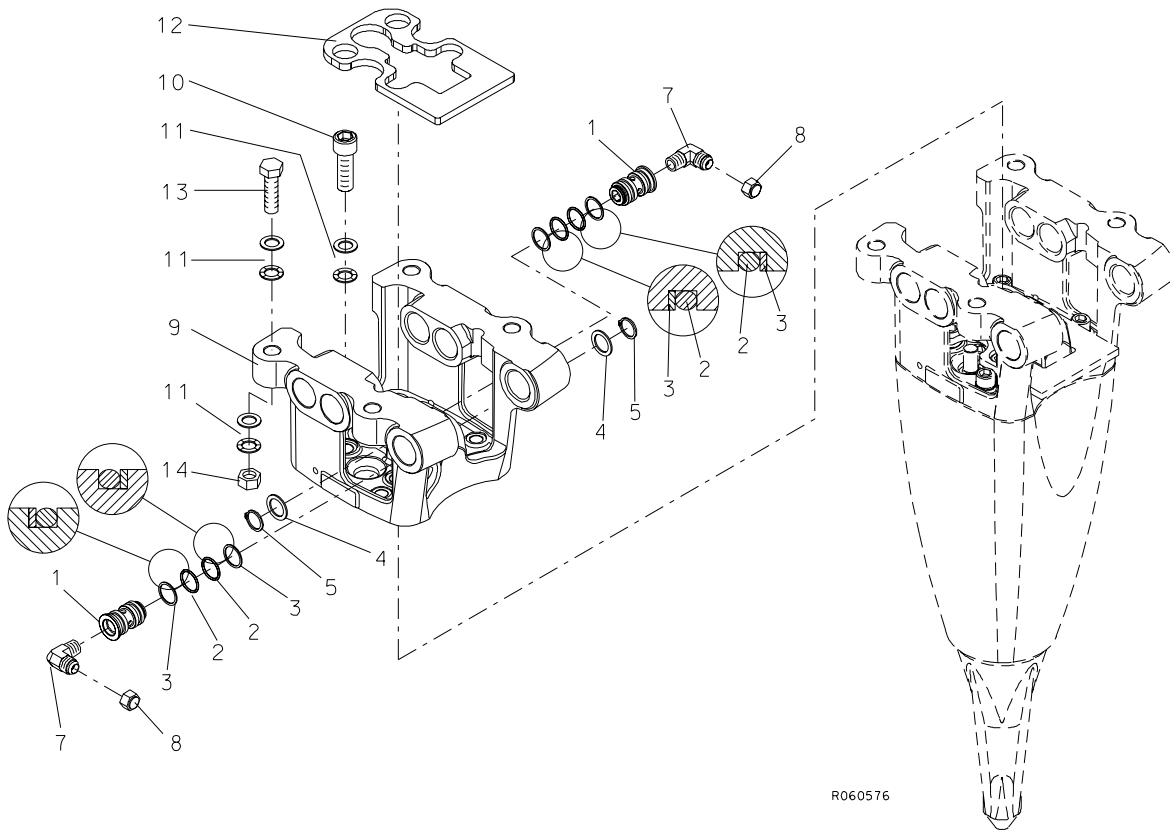
Item	Description	Part no.	Specification	Note	Qty
1	Spring housing	113091			1
2	Spring guide	113006			1
3	Spring	90114	9-1208-26 DANLY		1
4	O-ring	90015	D26	*	1
5.1	Shim plate	41639	S=0.5		x
5.2	Shim plate	41640	S=1		x
6	Spring ring	902988	B25 DIN 7993		1
	*) Are included in seal set				

4. BODY PARTS



Item	Description	Part no.	Specification	Note	Qty
1	Cylinder (incl. parts 1.2-1.5)	154763			1
1.2	Flange plug	90403	R1/4		1
1.3	Plug	915028			1
1.4	Flange plug	41658	R1/4		1
1.5	Flange plug	93203	R1/8		2
2	Piston	154805			1
3	Steering ring	113042			1
4	Distributor	113032			1
5	Slide ring	113022			1
6	O-ring	90038	D57	*	1
7	Seal	951897		*	1
8	Seal	951899		*	2
10	Accumulator filling valve	903408			1
11	Spool	154804			1
12	Washer	157117			1
13	Seal	951479	D18	*	1
15	O-ring	90017	D34	*	2
16	O-ring	950058	D12	*	6
	*) Are included in seal set				

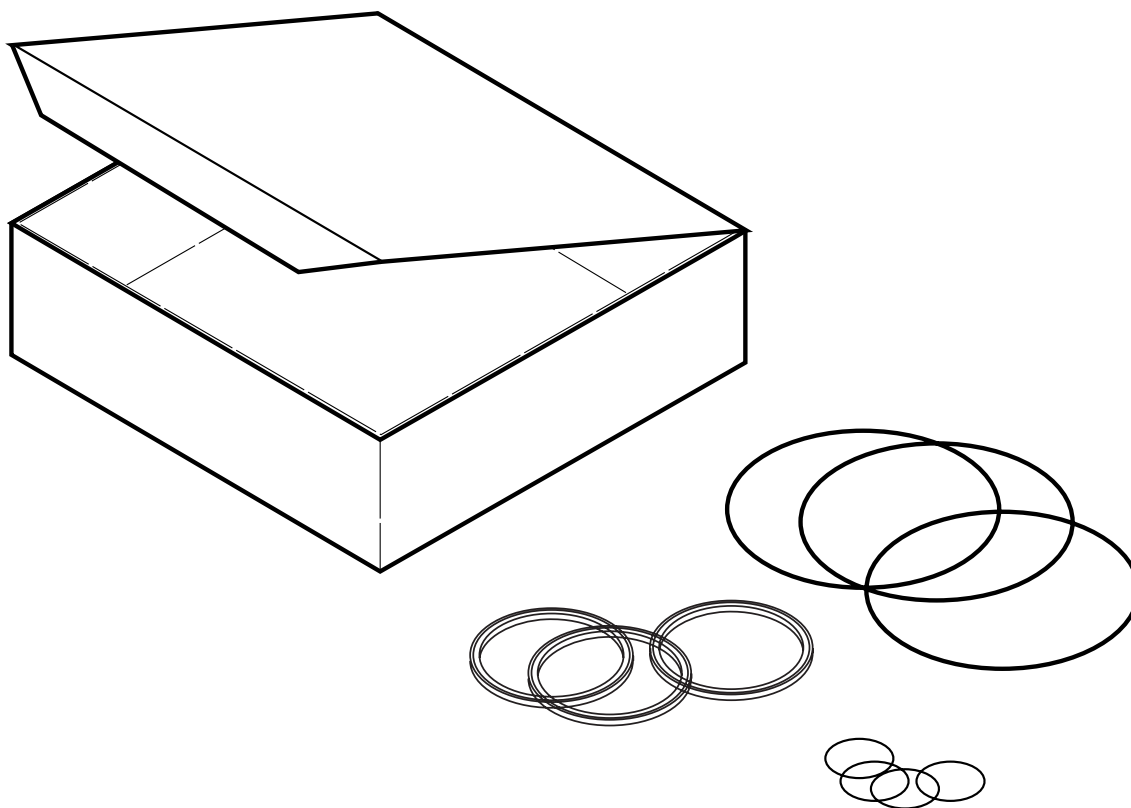
5. MOUNTING



R060576

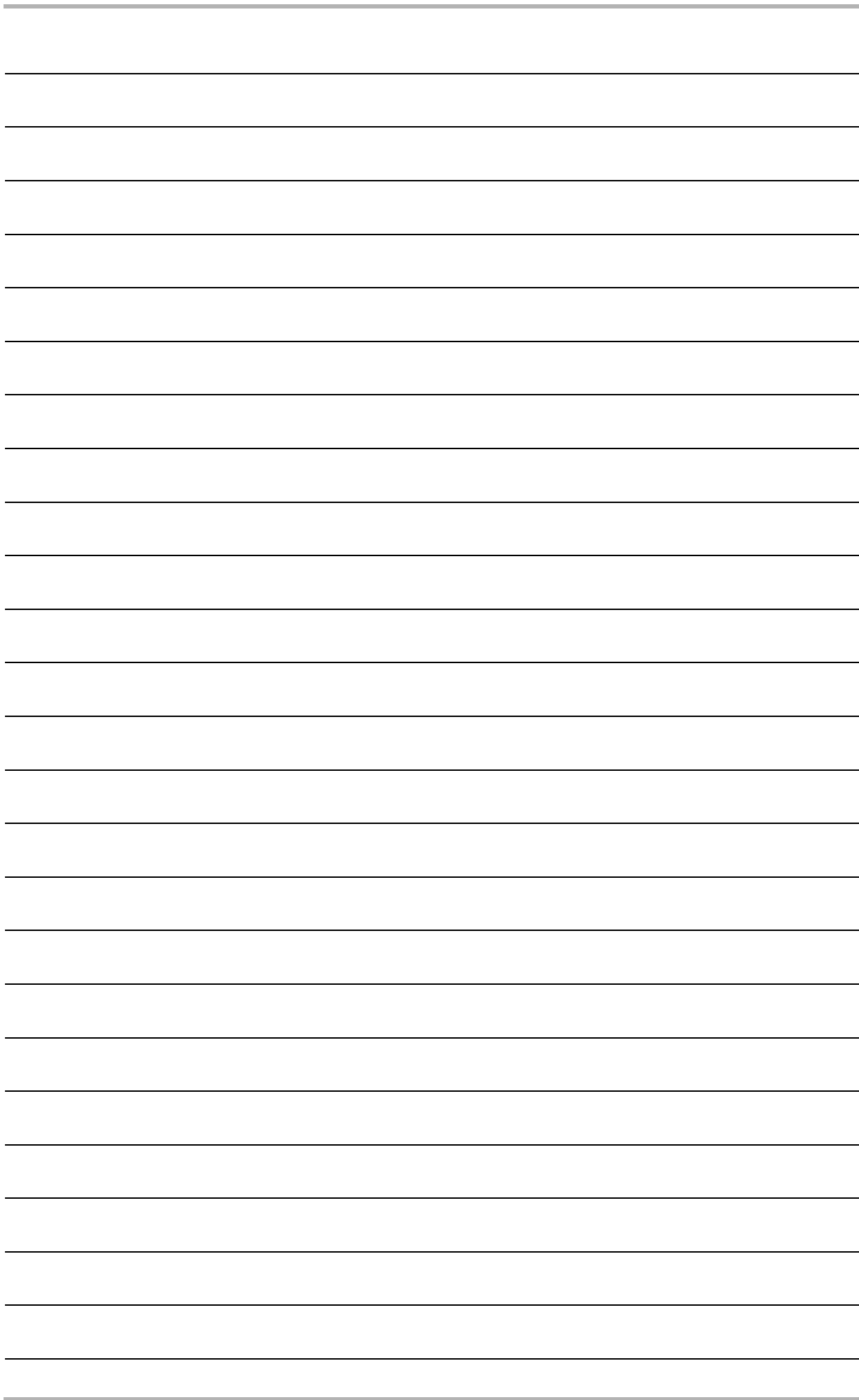
Item	Description	Part no.	Specification	Note	Qty
1	Manifold	113056			2
2	O-ring	90015	D26	*	4
3	Supporting ring	912005	D26	*	4
4	Support plate	903395	SS25x36x2.0 DIN 988		2
5	Retaining ring	950188	25x2 DIN 471		2
7	Elbow	951333			2
8	Cap	915030			2
9	Mounting bracket	156817			1
10	Hex. socket screw	91064	M20x60-8.8 ISO 4762		4
11	Lock washer	91010	M20 NORD-LOCK		12
12	Rubber plate	157183			1
13	Hex. screw	91027	M20x70-8.8 ISO 4014		4
14	Hex. nut	91017	M20-8 ISO 4032		4
	*) Are included in seal set				

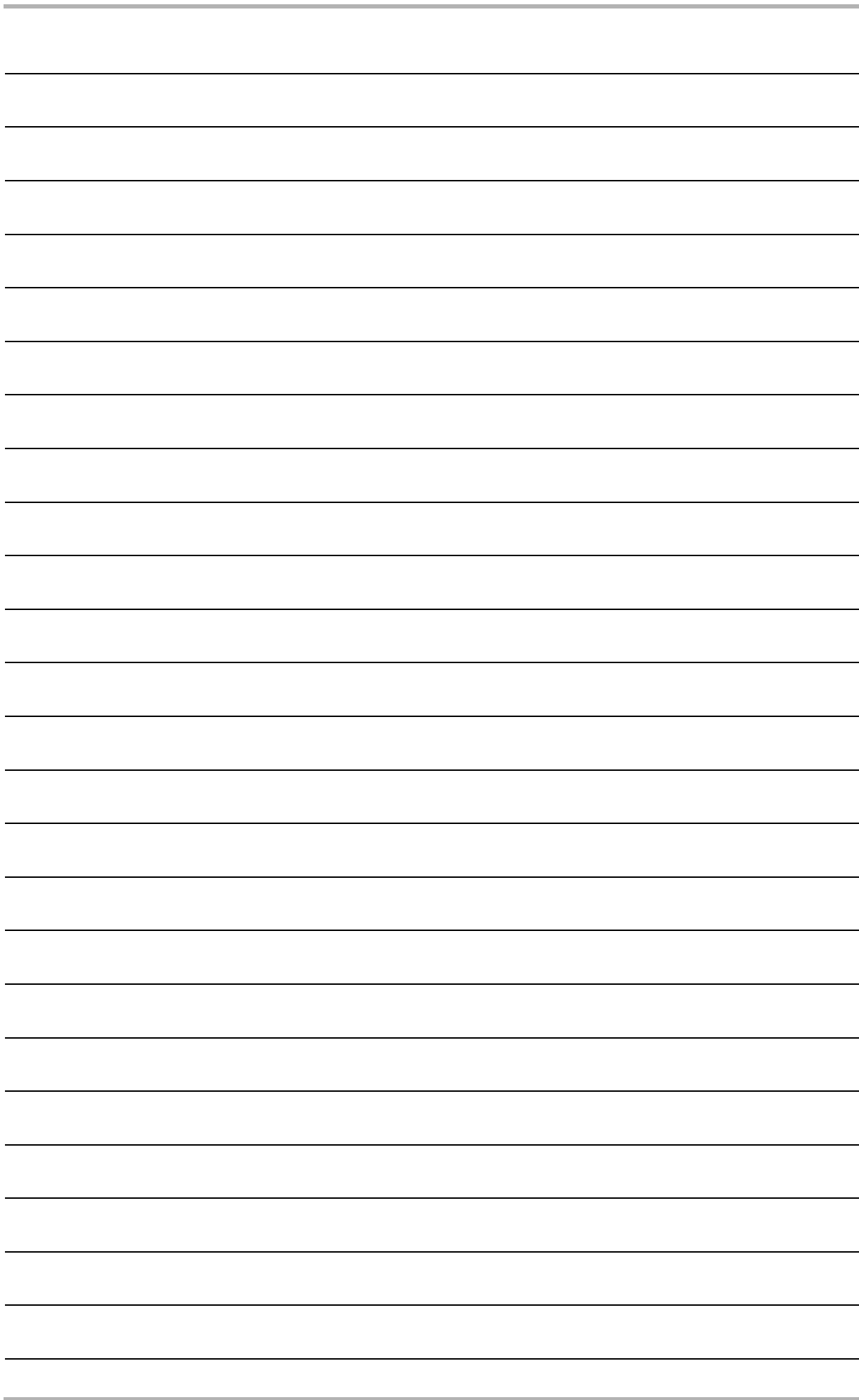
6. SEAL SET



R060012

Item	Description	Part no.	Specification	Note	Qty
Kit	Seal set (Incl. 1-10)	157278			1
1	O-ring	90022	D129		1
2	O-ring	90015	D26		5
3	Supporting ring	912005	D26		4
4	O-ring	90038	D57		1
5	Seal	951897			1
6	Seal	951899			2
7	Seal	951479	D18		1
8	O-ring	950058	D12		6
9	O-ring	94136	D150		1
10	O-ring	90017	D34		2





Sandvik Tamrock Corp., Breakers Lahti
Taivalkatu 8, P.O. Box 165, FIN-15101 Lahti, Finland
Phone Int. +358 205 44 161, Telefax Int. +358 205 44 160
www.rammer.com