

PARTS MANUAL
PMIN6ENG.104

HYDRAULIC HAMMER
RAMMER in6 PIN
RAMMER in6 FLANGE

Serial No.

6100081-UP

6160024-UP

TABLE OF CONTENTS

1. Housing unit in6	4
2. Accumulator in6	5
3. Pressure adjusting valve in6	6
4. Body parts in6	7
5. Mounting in6 Pin mounted	8
6. Mounting in6 Flange mounted	9
7. Seal set in6	10

GENUINE RAMMER SPARE PARTS

Rammer genuine spare parts are designed and manufactured by using the latest technological knowledge and engineering skills. Rammer spare parts are made of the best available materials with the most advanced manufacturing techniques.

It is important that you use only genuine Rammer spare parts, to ensure easy operation, maintenance and repair of the product. Please note that eventual warranty claims will be handled only if you have used genuine Rammer parts in your Rammer.

LOCATION OF THE SERIAL NUMBER

It's important to make correct reference to the serial number of the product when ordering spare parts. Identification of serial number is the only proper means of maintaining and identifying parts for a specific product. The location of equipment serial number is pointed in "Operation and maintenance" manual.

SPARE PART ORDERS

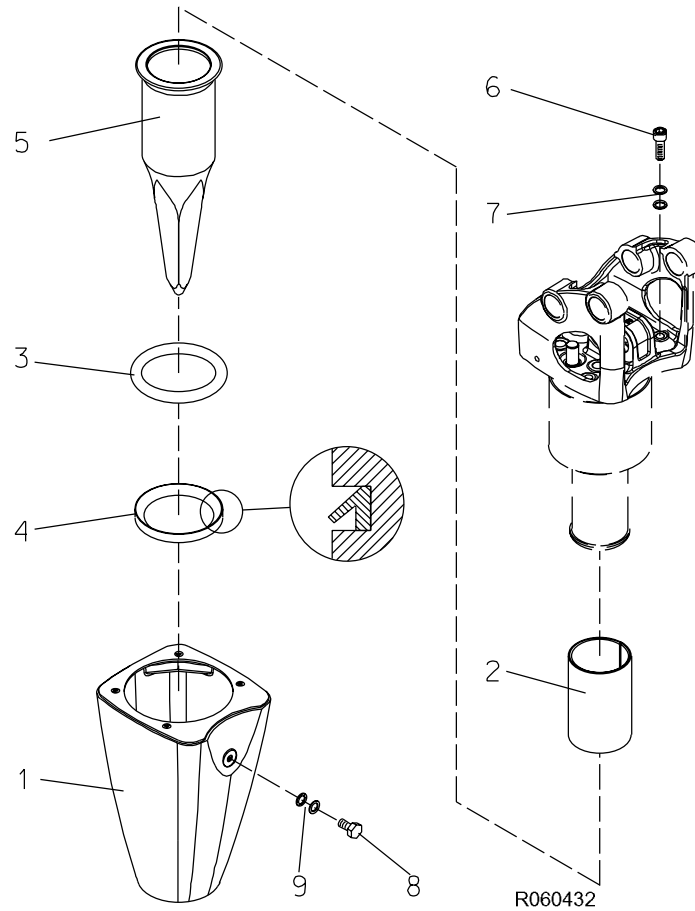
Quick spare part deliveries are secured by exact orders.

Required information:

- Name of customer and contact person
 - Order number (when available)
 - Delivery address
 - Mode of delivery (air mail etc.)
 - Required delivery date
 - Invoicing address
 - Model and serial number of the product
 - Name, number and required amount of spare parts
-

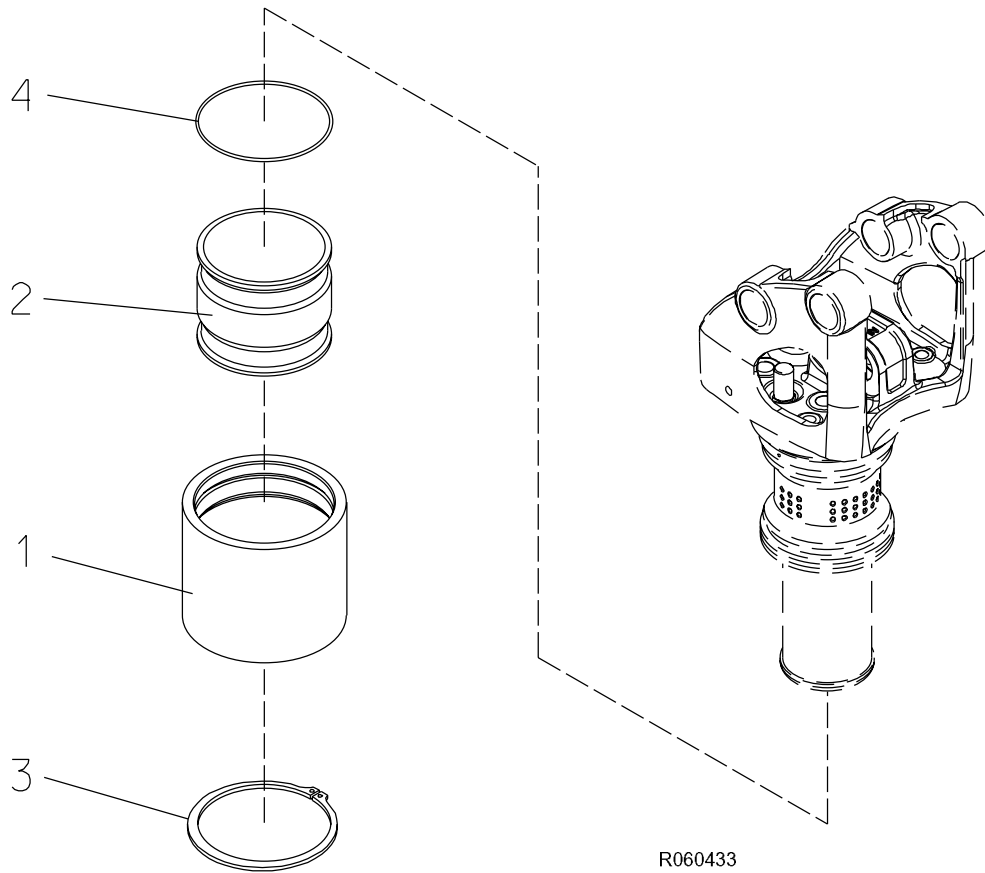
PARTS

1. HOUSING UNIT IN6



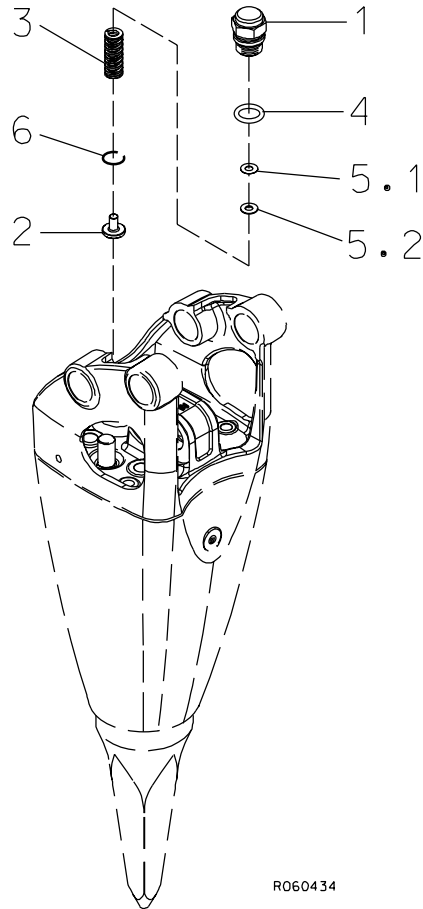
Item	Description	Part no.	Specification	Note	Qty
1	Housing	113046			1
2	Lower tool bushing	113071			1
3	Tool retaining ring	113076			1
4	Seal	113066		*	1
5	Pyramid tool	N63S1			1
6	Hex. socket screw	901902	M12x45-8.8 ISO 4762		4
7	Lock washer	91012	M12 NORD-LOCK		4
8	Hex. screw	950329	M10x12-8.8 ISO 4017		1
9	Lock washer	91037	M10 NORD-LOCK		1
Kit	Label set	153828			1
	*) Are included in seal set				

2. ACCUMULATOR IN6



Item	Description	Part no.	Specification	Note	Qty
1	Accumulator cover	113051			1
2	Membrane	113061			1
3	Retaining ring	903391	125x4 DIN 471		1
4	O-ring	90032	D120	*	1
	*) Are included in seal set				

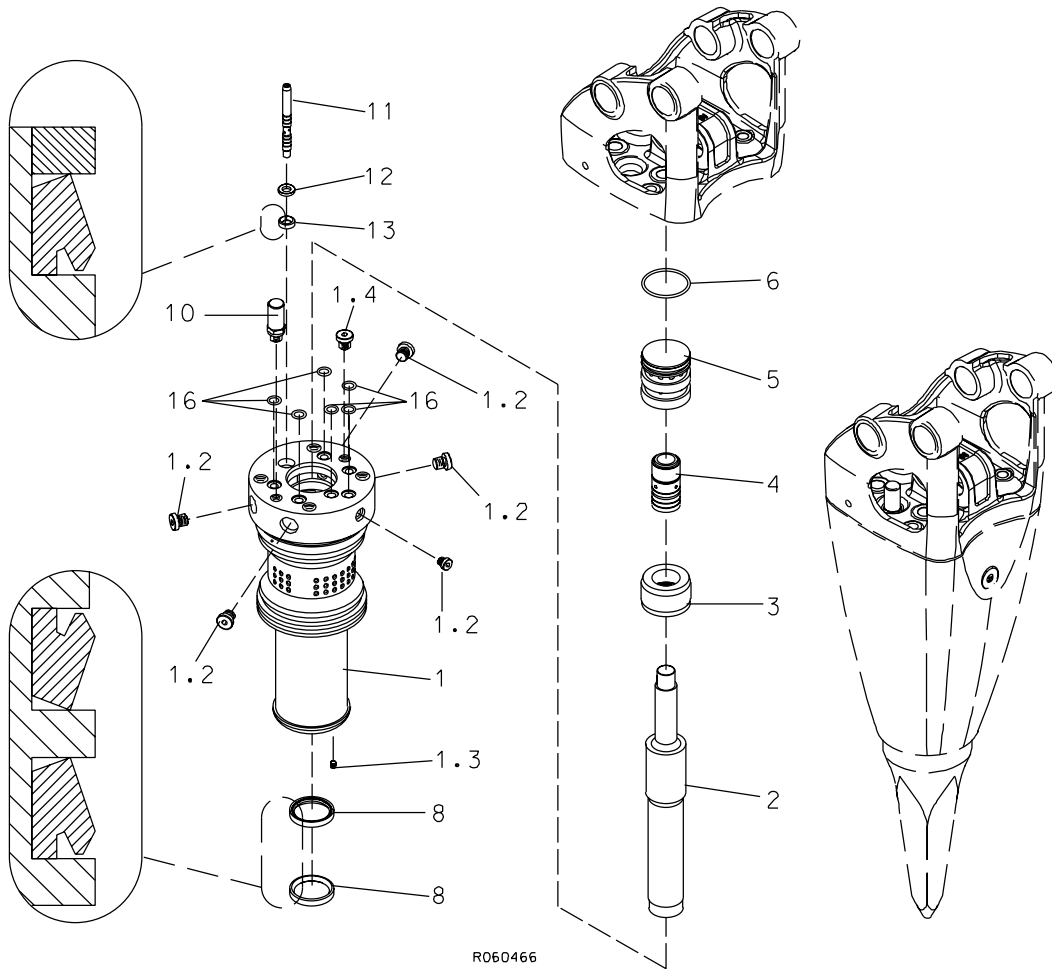
3. PRESSURE ADJUSTING VALVE IN6



R060434

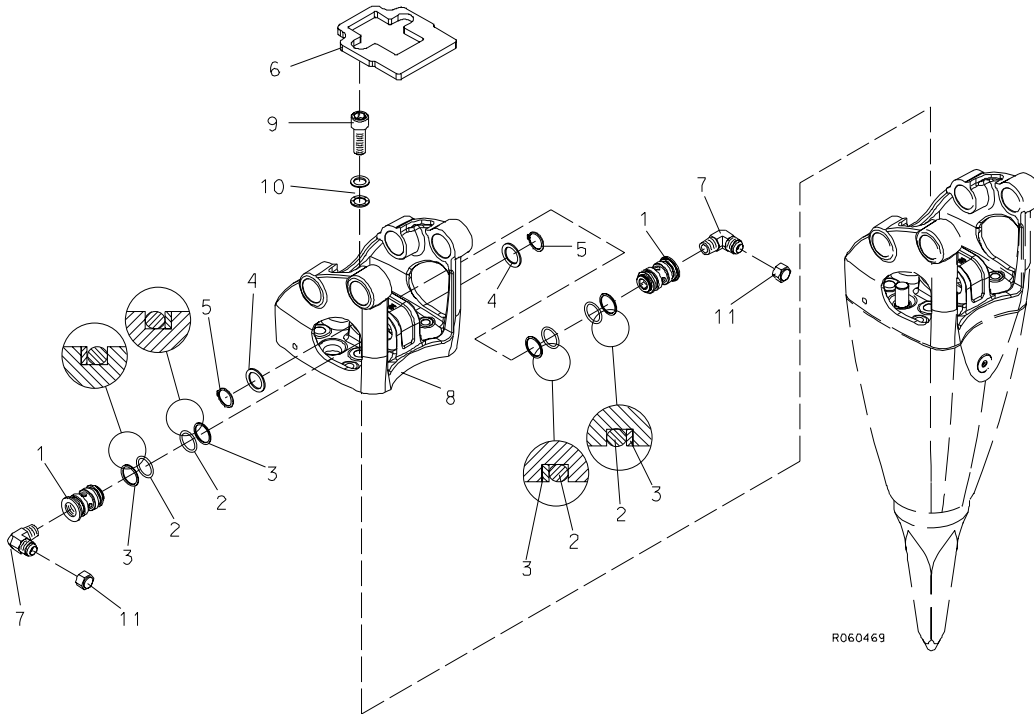
Item	Description	Part no.	Specification	Note	Qty
1	Spring housing	113091			1
2	Spring guide	113006			1
3	Spring	903390	9-1208-21 DANLY		1
4	O-ring	90015	D26	*	1
5.1	Shim plate	41639	S=0.5		x
5.2	Shim plate	41640	S=1		x
6	Spring ring	902988	B25 DIN 7993		1
	*) Are included in seal set				

4. BODY PARTS IN6



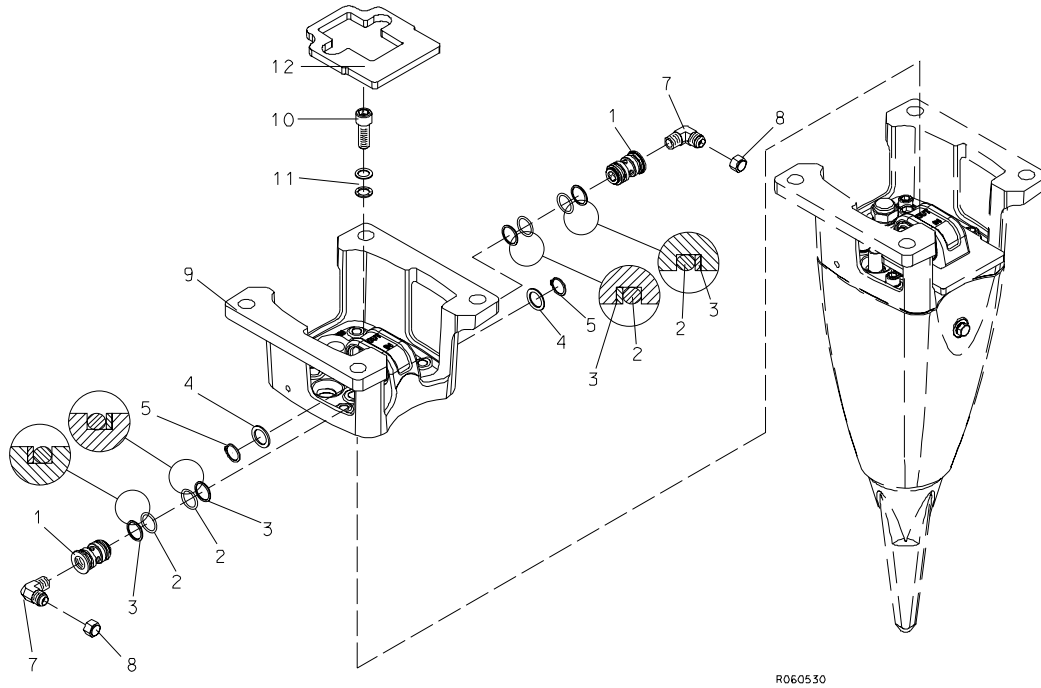
Item	Description	Part no.	Specification	Note	Qty
1	Cylinder (incl. parts 1.2-1.4)	113001			1
1.2	Flange plug	93203	R1/8		5
1.3	Plug	915028			1
1.4	Flange plug	41658	R1/4		1
2	Piston	113011			1
3	Steering ring	113041			1
4	Distributor	113031			1
5	Slide ring	113021			1
6	O-ring	94048	D50	*	1
8	Seal	903392		*	2
10	Accumulator filling valve	903408			1
11	Spool	113081			1
12	Washer	151274			1
13	Seal	903393		*	1
16	O-ring	901182	D11	*	6
	*) Are included in seal set				

5. MOUNTING IN6 PIN MOUNTED



Item	Description	Part no.	Specification	Note	Qty
1	Manifold	113056			2
2	O-ring	90015	D26	*	4
3	Supporting ring	912005		*	4
4	Support plate	903395	SS25x36x2.0 DIN 988		2
5	Retaining ring	950188	25x2 DIN 471		2
6	Rubber plate	153142			1
7	Elbow	951335			2
8	Mounting bracket	154405			1
9	Hex. socket screw	91032	M16x50-8.8 ISO 4762		4
10	Lock washer	90597	M16 NORD-LOCK		4
11	Cap	93232			2
	*) Are included in seal set				

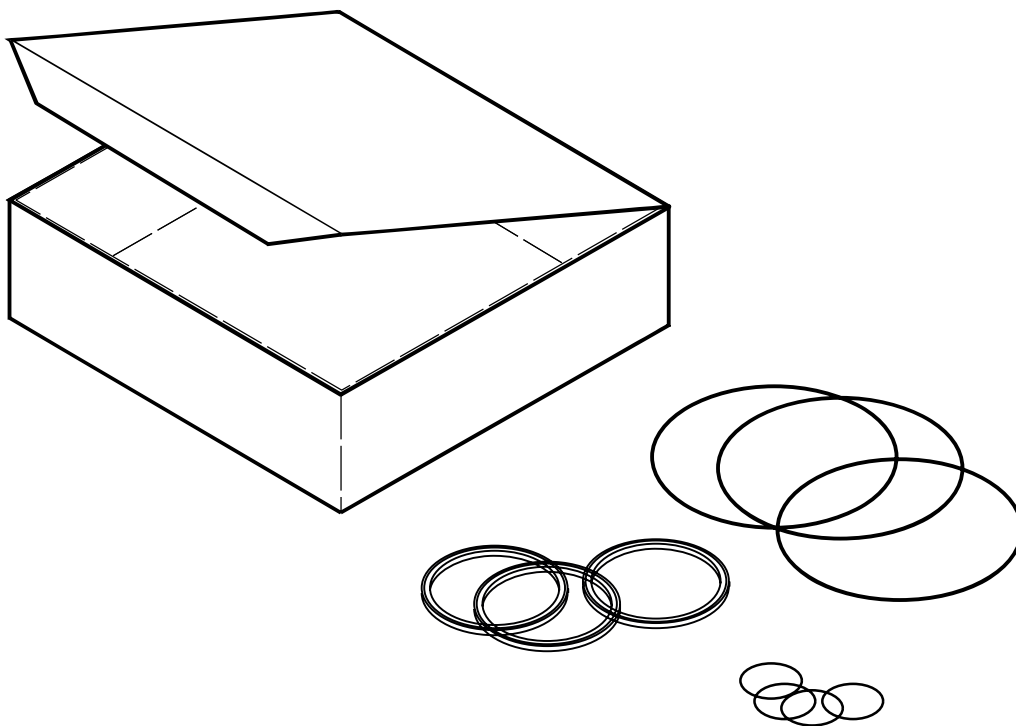
6. MOUNTING IN6 FLANGE MOUNTED



R0605.30

Item	Description	Part no.	Specification	Note	Qty
1	Manifold	113056			2
2	O-ring	90015	D26	*	4
3	Supporting ring	912005		*	4
4	Support plate	903395	SS25x36x2.0 DIN 988		2
5	Retaining ring	950188	25x2 DIN 471		2
7	Elbow	951335			2
8	Cap	93232			2
9	Mounting bracket	154964			1
10	Hex. socket screw	91032	M16x50-8.8 ISO 4762		4
11	Lock washer	90597	M16 NORD-LOCK		4
12	Rubber plate	153142			1
	*) Are included in seal set				

7. SEAL SET IN6



R060012

SEAL SET IN6

Item	Description	Part no.	Specification	Note	Qty
Kit	Seal set (incl. parts 1-8)	152444			1
1	Seal	113066			1
2	O-ring	90032	D120		1
3	O-ring	90015	D26		5
4	O-ring	94048	D50		1
5	Seal	903392			2
6	Seal	903393			1
7	O-ring	901182	D11		6
8	Supporting ring	912005			4

Sandvik Tamrock Corp., Breakers Lahti
Taivalkatu 8, P.O. Box 165, FIN-15101 Lahti, Finland
Phone Int. +358 205 44 161, Telefax Int. +358 205 44 160
www.rammer.com