

ENG A/01

PARTS MANUAL
PMP18SCENG.A01

HYDRAULIC HAMMER
RAMMER PICCOLO
RAMMER PICCOLO CITY

Serial No.

18BBA0499-UP

18BGA0005-UP

TABLE OF CONTENTS

1. Housing unit PICCOLO	4
2. Housing unit PICCOLO CITY	5
3. High pressure accumulator PICCOLO	6
4. Distributor PICCOLO	7
5. Tie rod PICCOLO	8
6. Low pressure accumulator PICCOLO	9
7. Cylinder and piston PICCOLO	10
8. Front head PICCOLO	11
9. Lower tool bushing PICCOLO	12
10. Seal set PICCOLO	13

GENUINE RAMMER SPARE PARTS

Rammer genuine spare parts are designed and manufactured by using the latest technological knowledge and engineering skills. Rammer spare parts are made of the best available materials with the most advanced manufacturing techniques.

It is important that you use only genuine Rammer spare parts, to ensure easy operation, maintenance and repair of the product. Please note that eventual warranty claims will be handled only if you have used genuine Rammer parts in your Rammer.

LOCATION OF THE SERIAL NUMBER

It's important to make correct reference to the serial number of the product when ordering spare parts. Identification of serial number is the only proper means of maintaining and identifying parts for a specific product. The location of equipment serial number is pointed in "Operation and maintenance" manual.

SPARE PART ORDERS

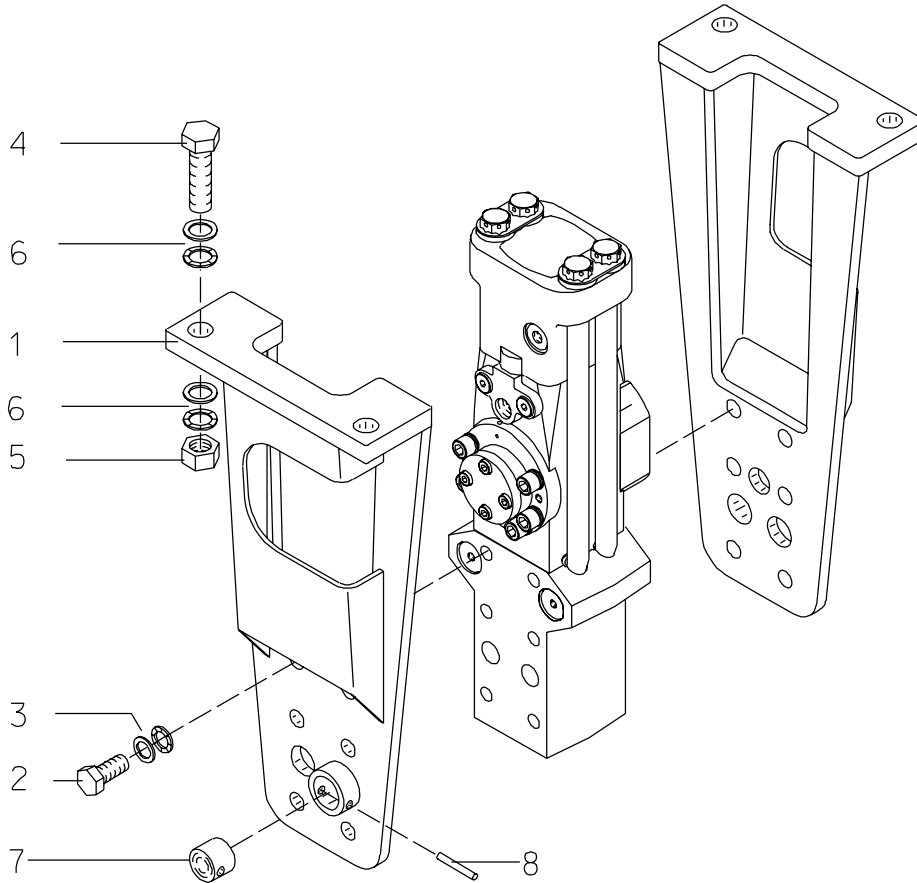
Quick spare part deliveries are secured by exact orders.

Required information:

- Name of customer and contact person
 - Order number (when available)
 - Delivery address
 - Mode of delivery (air mail etc.)
 - Required delivery date
 - Invoicing address
 - Model and serial number of the product
 - Name, number and required amount of spare parts
-

PARTS

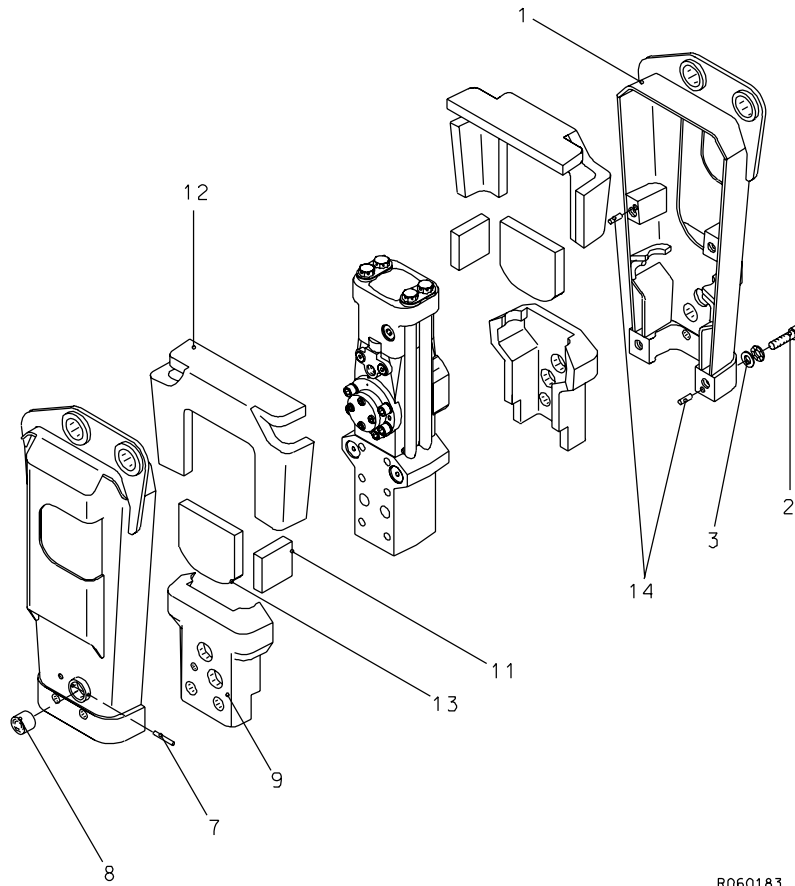
1. HOUSING UNIT PICCOLO



R060182

Item	Description	Part no.	Specification	Note	Qty
1	Housing plates	102197			1
2	Hex. screw	902766	M16x35-10.9 DIN 933		12
3	Lock washer	90597	M16 NORD-LOCK		12
4	Hex. screw	91027	M20x70-8.8 DIN 931		4
5	Hex. nut	91017	M20-8 DIN 934		4
6	Lock washer	91010	M20 NORD-LOCK		8
7	Buffer	102198			2
8	Split pin	901271	8x50 DIN 1481		2
Kit	Label set	102061			1

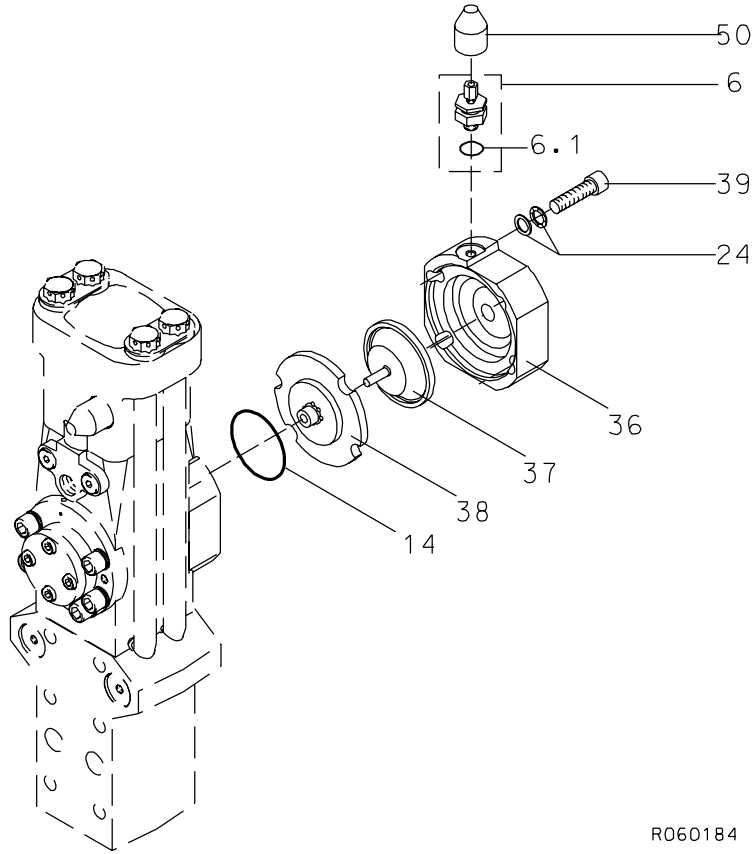
2. HOUSING UNIT PICCOLO CITY



R060183

Item	Description	Part no.	Specification	Note	Qty
1	Housing plates	102407			1
2	Hex. socket screw	91105	M16x70-8.8 DIN 912		4
3	Lock washer	90597	M16 NORD-LOCK		4
7	Split pin	901271	8x50 DIN 1481		2
8	Buffer	102198			2
9	Damper	102419			2
11	Damper plate	102462			4
12	Damper plate	102473			2
13	Damper plate	102464			2
14	Parallel pin	901101	10m6x70 DIN 6325		2
Kit	Label set	102478			1

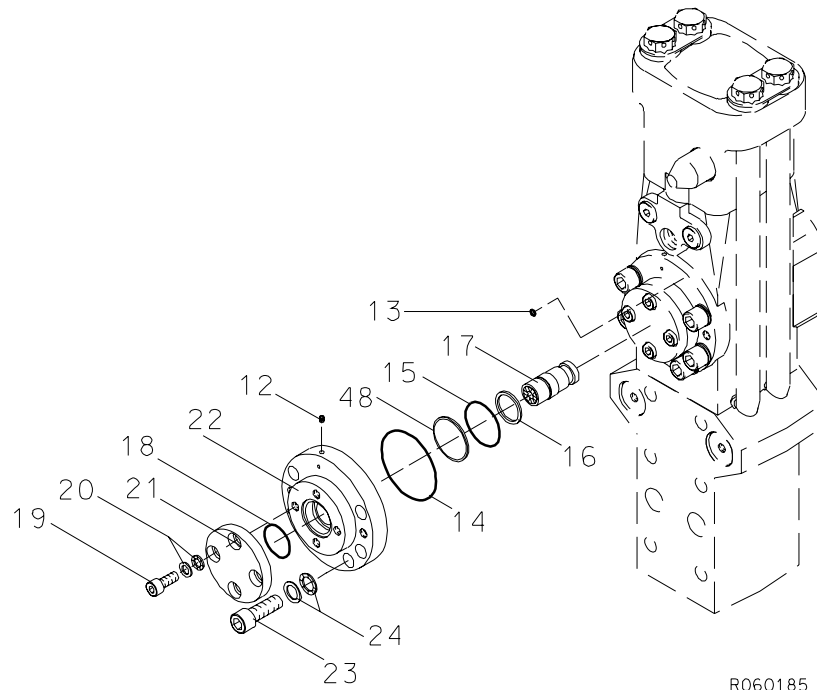
3. HIGH PRESSURE ACCUMULATOR PICCOLO



R060184

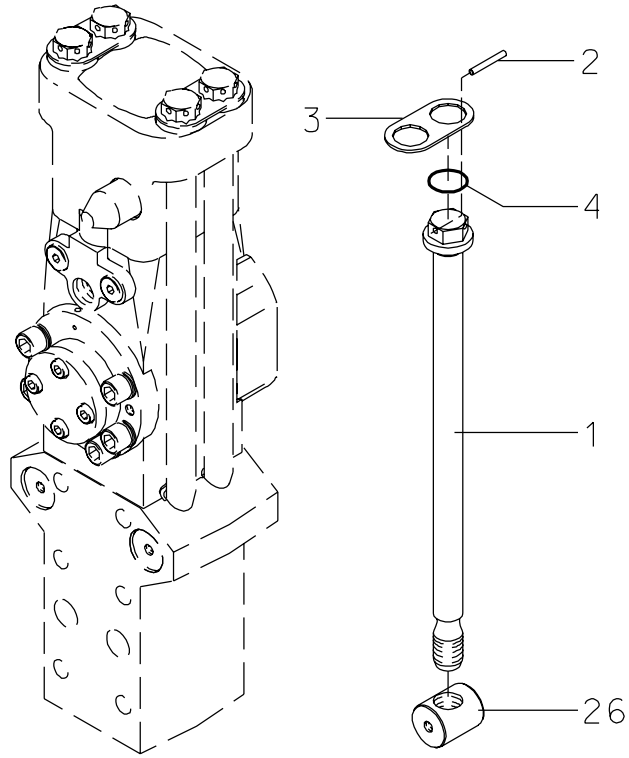
Item	Description	Part no.	Specification	Note	Qty
6	Valve (incl. part 6.1)	915080			1
6.1	O-ring	901026	D14	*	1
14	O-ring	90014	D65	*	1
24	Lock washer	91012	M12 NORD-LOCK		4
36	High pressure accumulator cover	101727			1
37	Membrane	101730			1
38	High pressure accumulator bottom	101725			1
39	Hex. socket screw	901181	M12x45-12.9 DIN 912		4
50	Shield plug	400693			1
	*) Are included in seal set				

4. DISTRIBUTOR PICCOLO



Item	Description	Part no.	Specification	Note	Qty
12	Ball plug	901174	D4		1
13	O-ring	901175	D5	*	1
14	O-ring	90014	D65	*	1
15	O-ring	901176	D41	*	1
16	Seal	101734		*	1
17	Distributor	101735			1
18	O-ring	94046	D30	*	1
19	Hex. socket screw	901177	M8x20-8.8 DIN 7984		4
20	Lock washer	91011	M8 NORD-LOCK		4
21	Cover	101558			1
22	Valve housing (incl. part 12)	101554			1
23	Hex. socket screw	900046	M12x35-8.8 DIN 912		6
24	Lock washer	91012	M12 NORD-LOCK		6
48	Supporting ring	101743		*	1
	*) Are included in seal set				

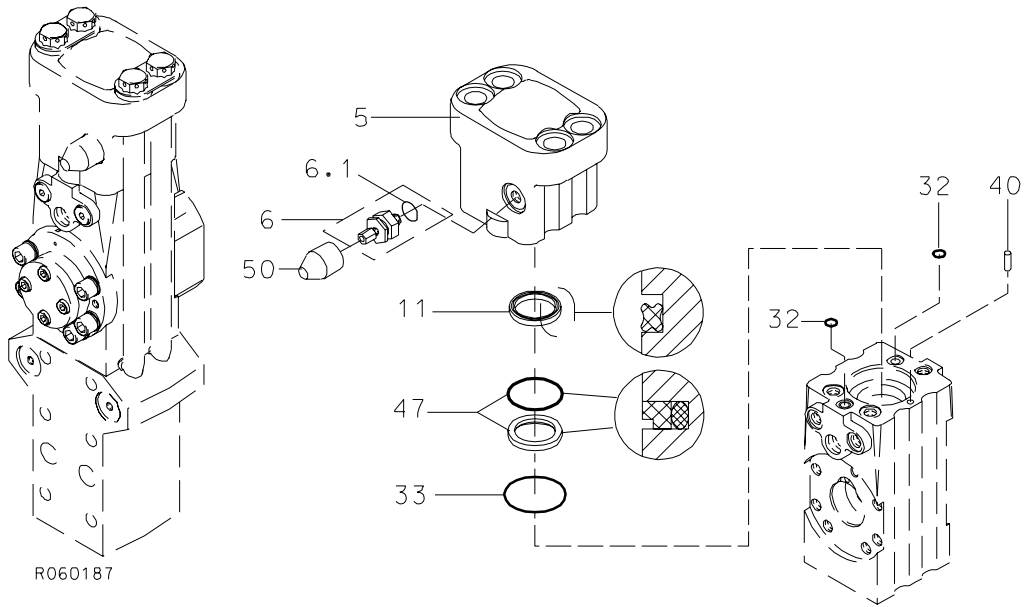
5. TIE ROD PICCOLO



R060186

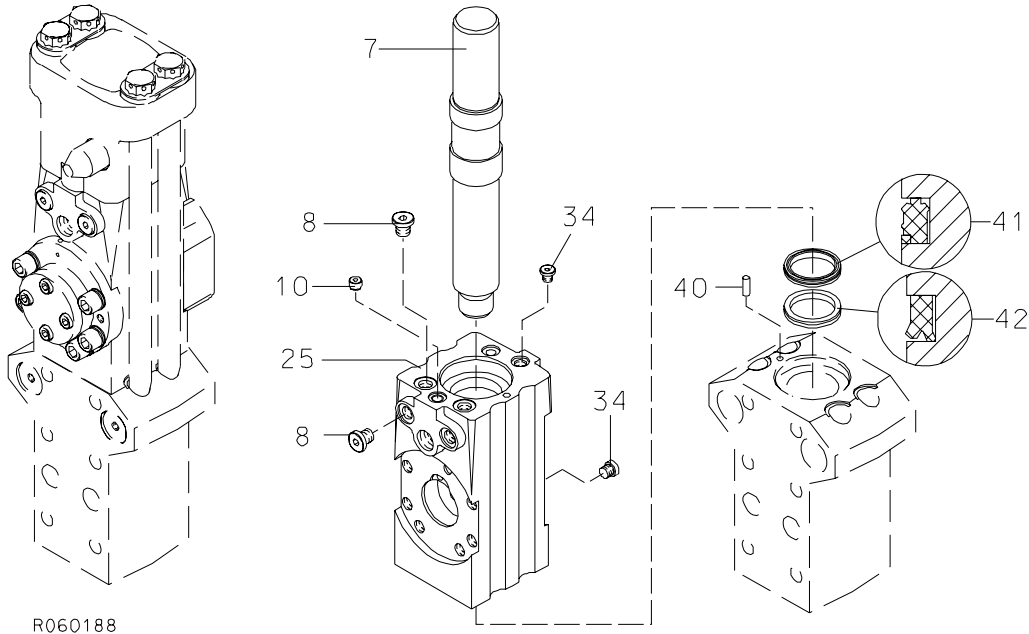
Item	Description	Part no.	Specification	Note	Qty
1	Tie rod	101736			4
2	Split pin	901172			4
3	Lock plate	101738			4
4	O-ring	90015	D26	*	4
26	Tie rod nut	400143			4
	*) Are included in seal set				

6. LOW PRESSURE ACCUMULATOR PICCOLO



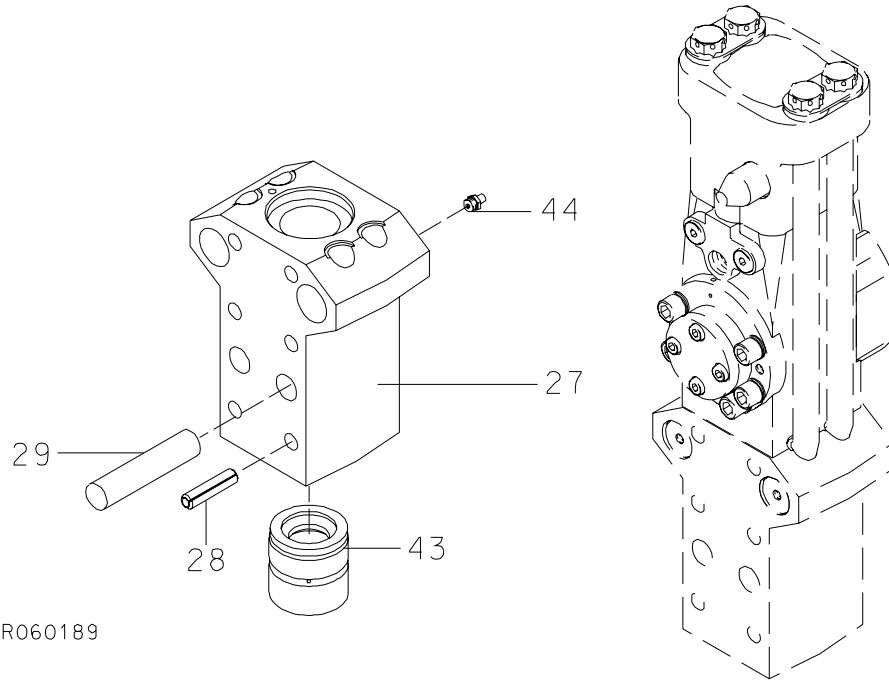
Item	Description	Part no.	Specification	Note	Qty
5	Low pressure accumulator	101718			1
6	Valve (incl. part 6.1)	915080			1
6.1	O-ring	901026	D14	*	1
11	Seal	901184		*	1
32	O-ring	901182	D11	*	2
33	O-ring	90038	D57	*	1
40	Parallel pin	90371	6m6x18 DIN 6325		1
47	Seal	901183	D38	*	1
50	Shield plug	400693			1
	*) Are included in seal set				

7. CYLINDER AND PISTON PICCOLO



Item	Description	Part no.	Specification	Note	Qty
7	Piston	101728			1
8	Flange plug	90403	R1/4		4
10	Nozzle	101846			1
25	Cylinder (incl. parts 8 and 34)	101719			1
34	Flange plug	93203	R1/8		2
40	Parallel pin	90371	6m6x18 DIN 6325		1
41	Seal	901180	D40	*	1
42	Seal	901179	D40	*	1
	*) Are included in seal set				

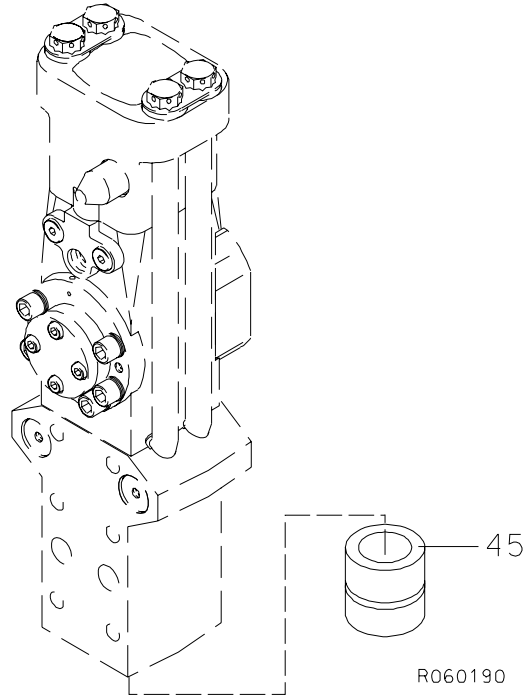
8. FRONT HEAD PICCOLO



R060189

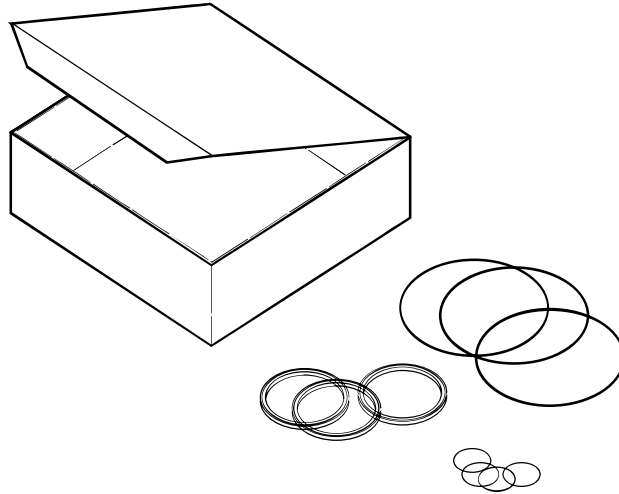
Item	Description	Part no.	Specification	Note	Qty
27	Front head (incl. part 44)	101720			1
28	Split pin	901178	12x50 DIN 1481		4
29	Retaining pin	102192			2
43	Upper tool bushing	101733			1
44	Grease nipple	90201	R1/8		1

9. LOWER TOOL BUSHING PICCOLO



Item	Description	Part no.	Specification	Note	Qty
45	Lower tool bushing	102196			1

10. SEAL SET PICCOLO



R060012

Item	Description	Part no.	Specification	Note	Qty
Kit	Seal set (incl. parts 1-16)	102039			1
1	O-ring	90015	D26		4
2	O-ring	901026	D14		2
3	Seal	901184			1
4	O-ring	901175	D5		1
5	O-ring	90014	D65		2
6	O-ring	901176	D41		1
7	Seal	101734			1
8	O-ring	94046	D30		1
9	O-ring	901182	D11		2
10	O-ring	90038	D57		1
11	Seal	901180	D40		1
12	Seal	901179	D40		1
13	Seal	901183	D38		1
14	Supporting ring	101743			1
15	Seal	901162	D40		1
16	Split pin	901172			4

Sandvik Tamrock Corp., Breakers Lahti
Taivalkatu 8, P.O. Box 165, FIN-15101 Lahti, Finland
Phone Int. +358 205 44 161, Telefax Int. +358 205 44 160
www.rammer.com