

ENG B/04

PARTS MANUAL
PMIN22SENG.B04

HYDRAULIC HAMMER

RAMMER in22

Serial No.
22180005-UP

TABLE OF CONTENTS

1. Housing unit	4
2. Accumulator	5
3. Pressure adjusting valve	6
4. Body parts	7
5. Mounting	8
6. Seal set	9

GENUINE RAMMER SPARE PARTS

Rammer genuine spare parts are designed and manufactured by using the latest technological knowledge and engineering skills. Rammer spare parts are made of the best available materials with the most advanced manufacturing techniques.

It is important that you use only genuine Rammer spare parts, to ensure easy operation, maintenance and repair of the product. Please note that eventual warranty claims will be handled only if you have used genuine Rammer parts in your Rammer.

LOCATION OF THE SERIAL NUMBER

It's important to make correct reference to the serial number of the product when ordering spare parts. Identification of serial number is the only proper means of maintaining and identifying parts for a specific product. The location of equipment serial number is pointed in "Operation and maintenance" manual.

SPARE PART ORDERS

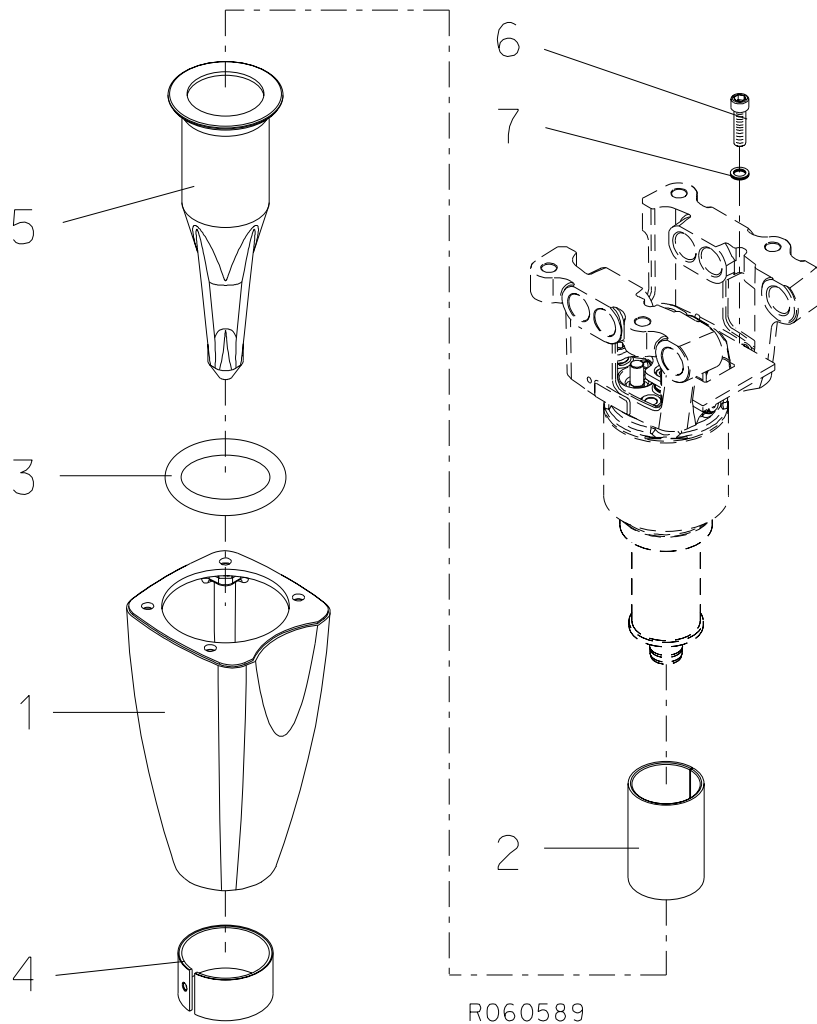
Quick spare part deliveries are secured by exact orders.

Required information:

- Name of customer and contact person
 - Order number (when available)
 - Delivery address
 - Mode of delivery (air mail etc.)
 - Required delivery date
 - Invoicing address
 - Model and serial number of the product
 - Name, number and required amount of spare parts
-

PARTS

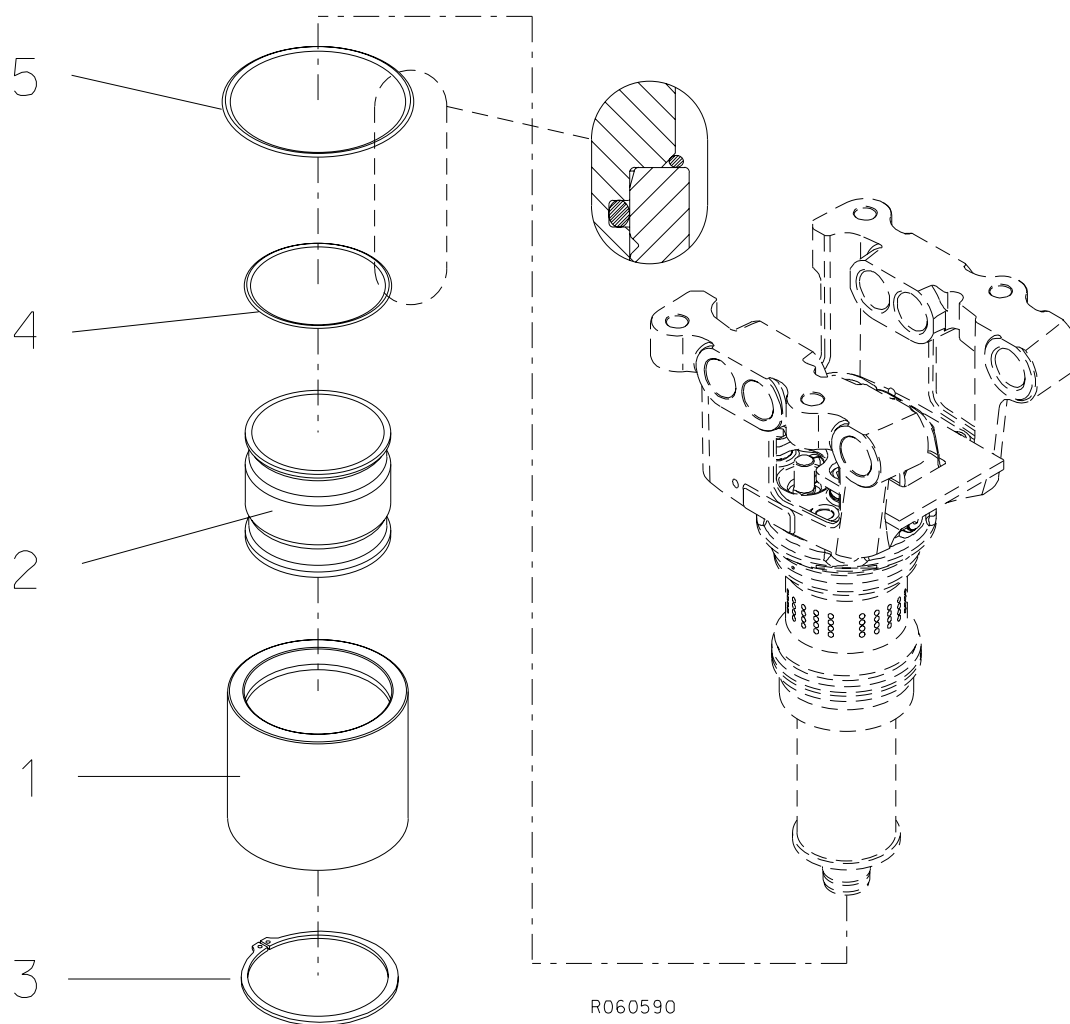
1. HOUSING UNIT



R060589

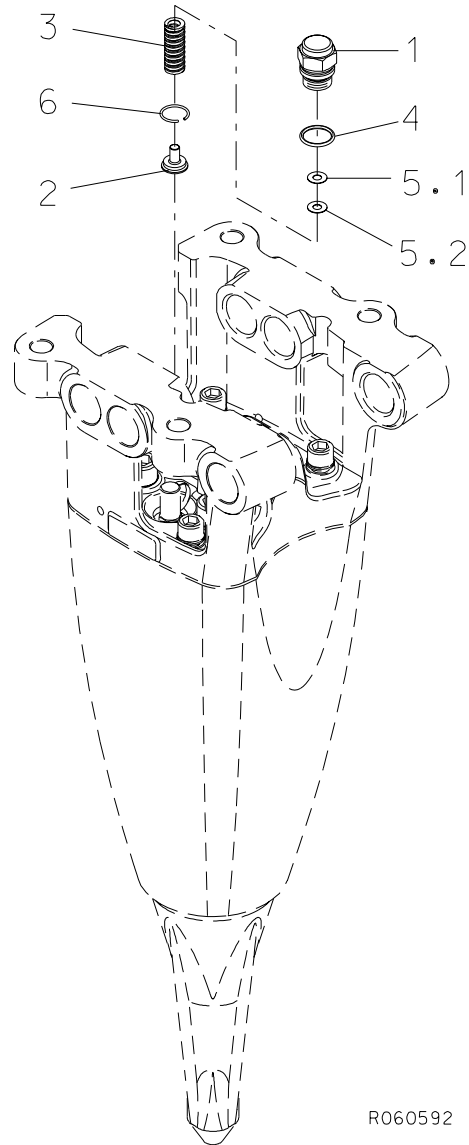
Item	Description	Part no.	Specification	Note	Qty
1	Housing	155313			1
2	Lower tool bushing	155422			1
3	Tool retaining ring	155618			1
4	Guide ring	157119			1
5	Pyramid tool	N223S1			1
6	Hex. socket screw	951478	M20x70-8.8 ISO 4762		4
7	Lock washer	91010	M20 NORD-LOCK		4
Kit	Label set	157234			1

2. ACCUMULATOR



Item	Description	Part no.	Specification	Note	Qty
1	Accumulator cover	113054			1
2	Membrane	113064			1
3	Retaining ring	951382	180x4 DIN 471		1
4	O-ring	902603	D169	*	1
5	O-ring	90013	D174	*	1
	*) Are included in seal set				

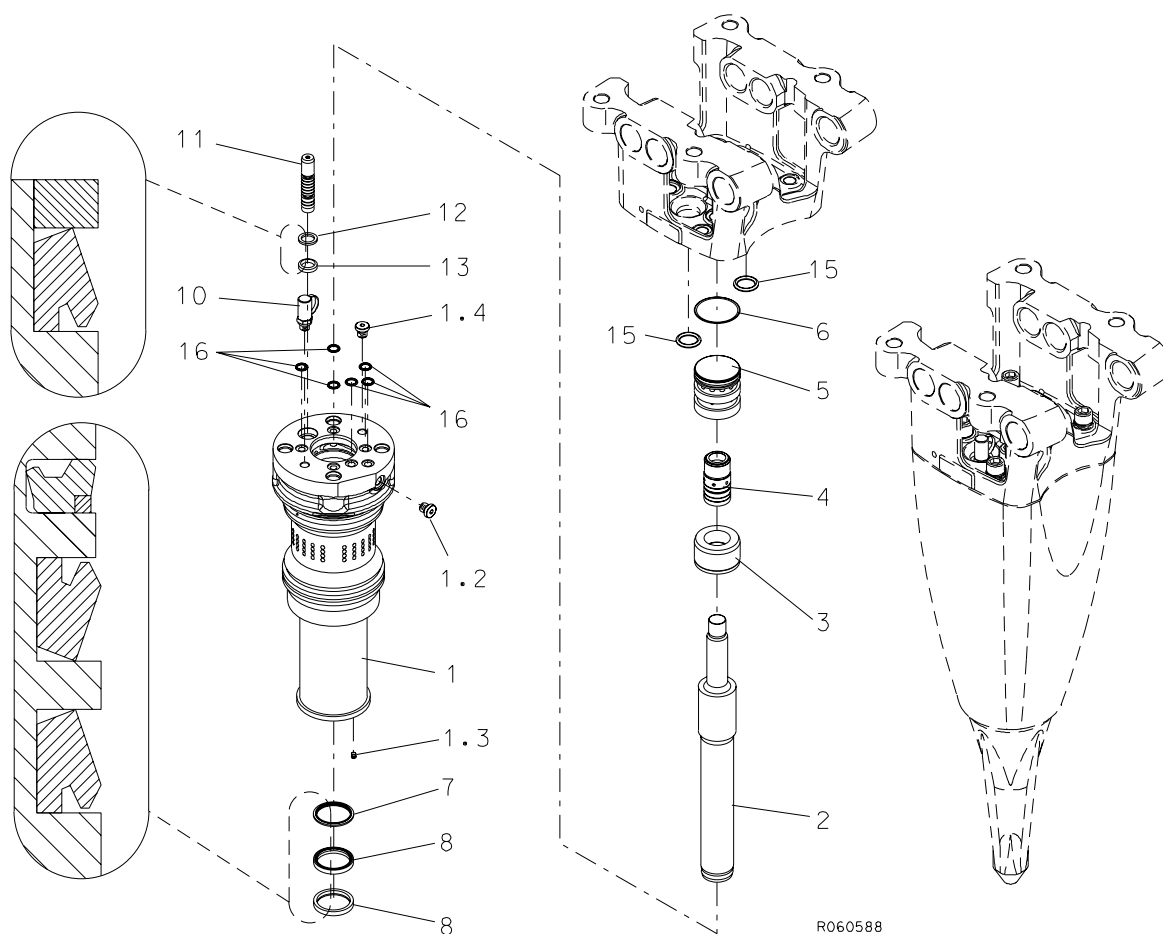
3. PRESSURE ADJUSTING VALVE



R060592

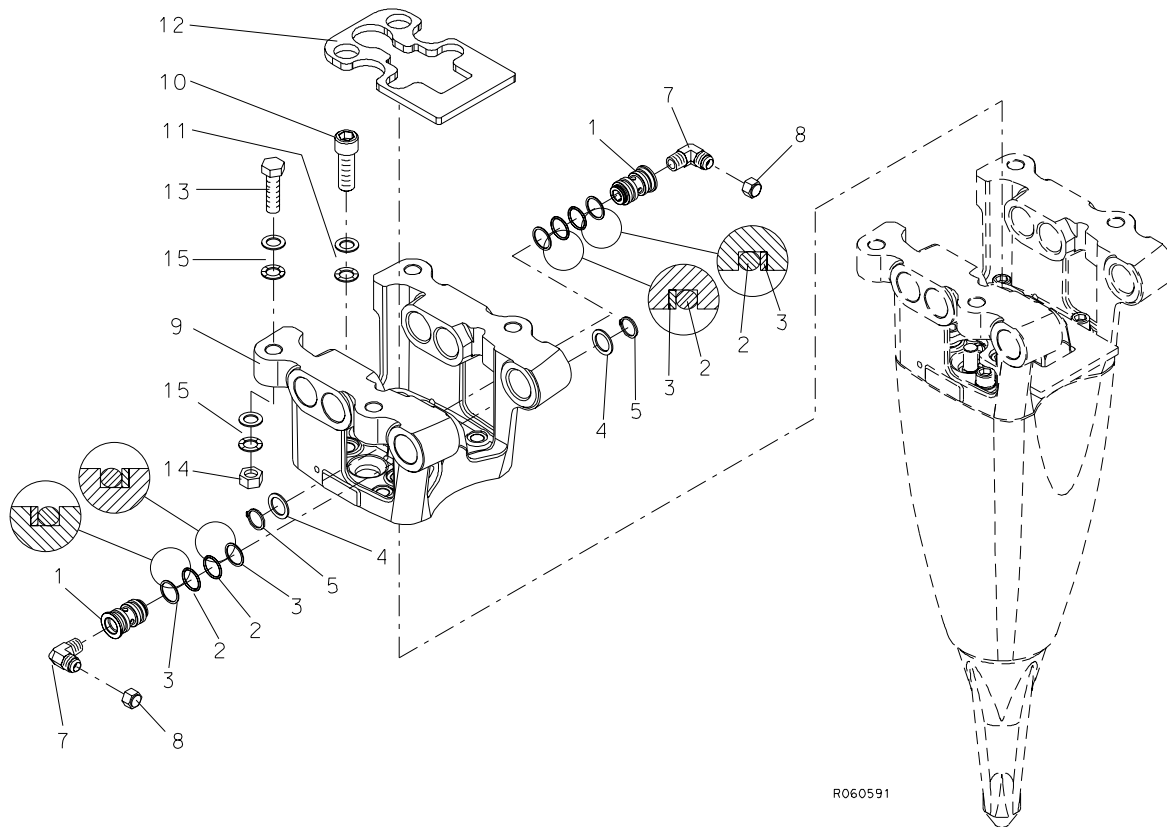
Item	Description	Part no.	Specification	Note	Qty
1	Spring housing	113091			1
2	Spring guide	113006			1
3	Spring	90114	9-1208-26 DANLY		1
4	O-ring	90015	D26	*	1
5.1	Shim plate	41639	S=0.5		x
5.2	Shim plate	41640	S=1		x
6	Spring ring	902988	B25 DIN 7993		1
	*) Are included in seal set				

4. BODY PARTS



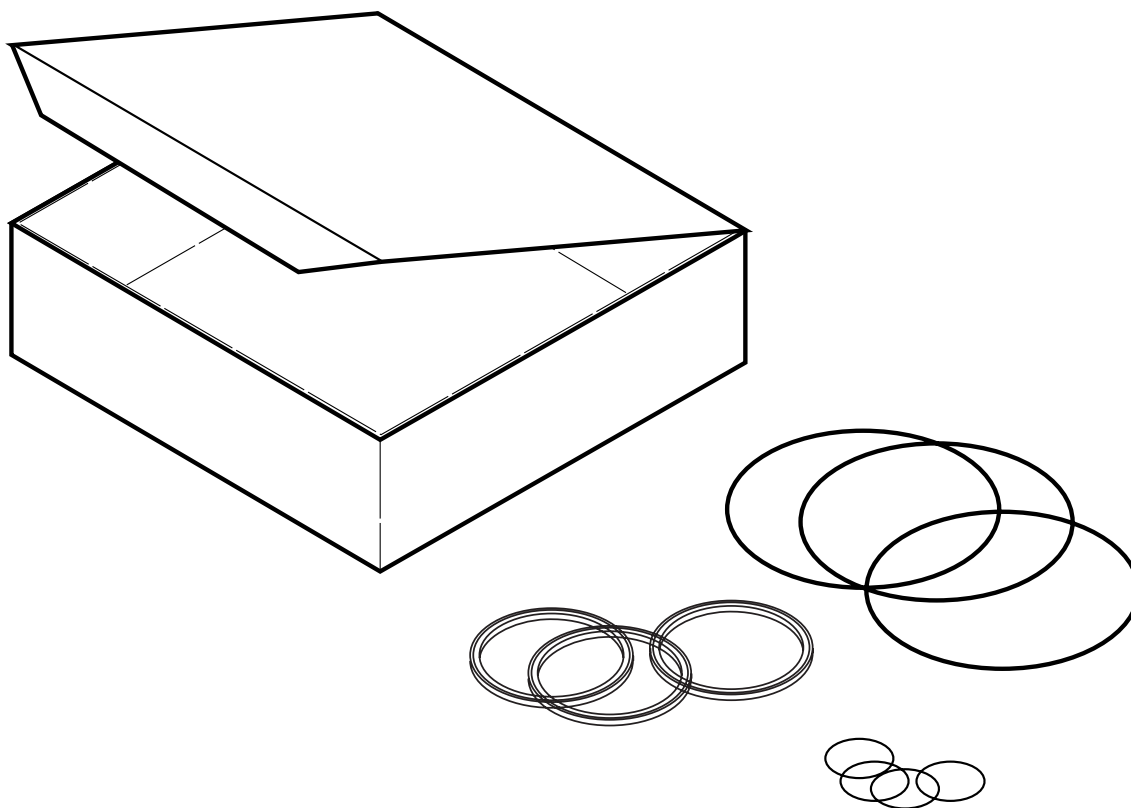
Item	Description	Part no.	Specification	Note	Qty
1	Cylinder (incl. parts 1.2-1.4)	155306			1
1.2	Flange plug	90444	R3/8		1
1.3	Plug	903419			1
1.4	Flange plug	41658	R1/4		1
2	Piston	113014			1
3	Steering ring	113044			1
4	Distributor	113034			1
5	Slide ring	113024			1
6	O-ring	90030	D75	*	1
7	Seal	951925		*	1
8	Seal	951891		*	2
10	Accumulator filling valve	903408			1
11	Spool	154804 113084			1
12	Washer	157117			1
13	Seal	951479	D18	*	1
15	O-ring	94091	D39	*	2
16	O-ring	901942	D16	*	6
	*) Are included in seal set				

5. MOUNTING



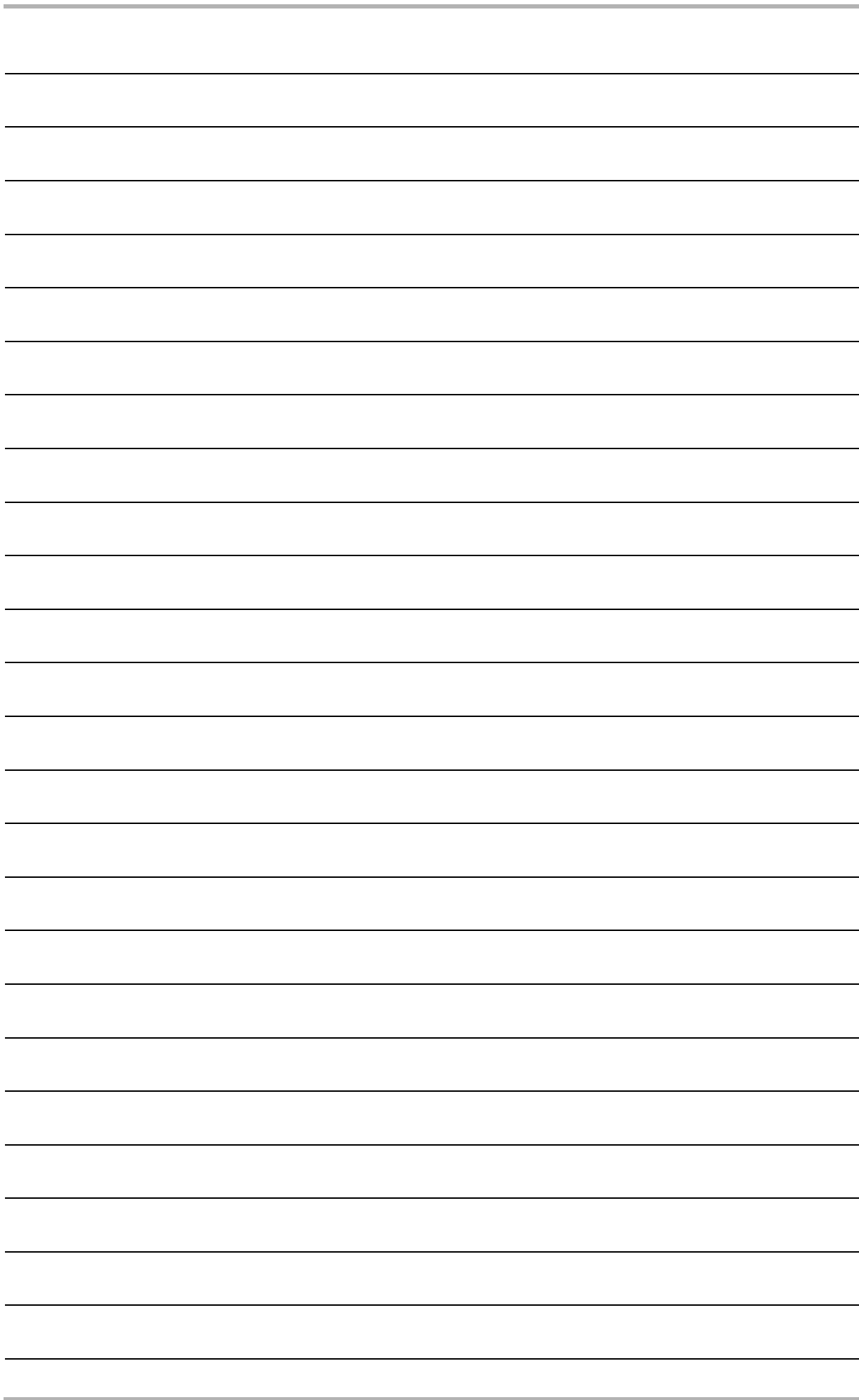
Item	Description	Part no.	Specification	Note	Qty
1	Manifold	113059			2
2	O-ring	90017	D34	*	4
3	Supporting ring	950026	D34	*	4
4	Support plate	903002	SS32x45x2.5 DIN 988		2
5	Retaining ring	951477	32x2 DIN 471		2
7	Elbow	951691			2
8	Cap	93199			2
9	Mounting bracket	157006			1
10	Hex. socket screw	902769	M24x80-8.8 ISO 4762		4
11	Lock washer	91038	M24 NORD-LOCK		4
12	Rubber plate	154517			1
13	Hex. screw	951390	M20x100-8.8 ISO 4014		4
14	Hex. nut	91017	M20-8 ISO 4032		4
15	Lock washer	91010	M20 NORD-LOCK		8
	*) Are included in seal set				

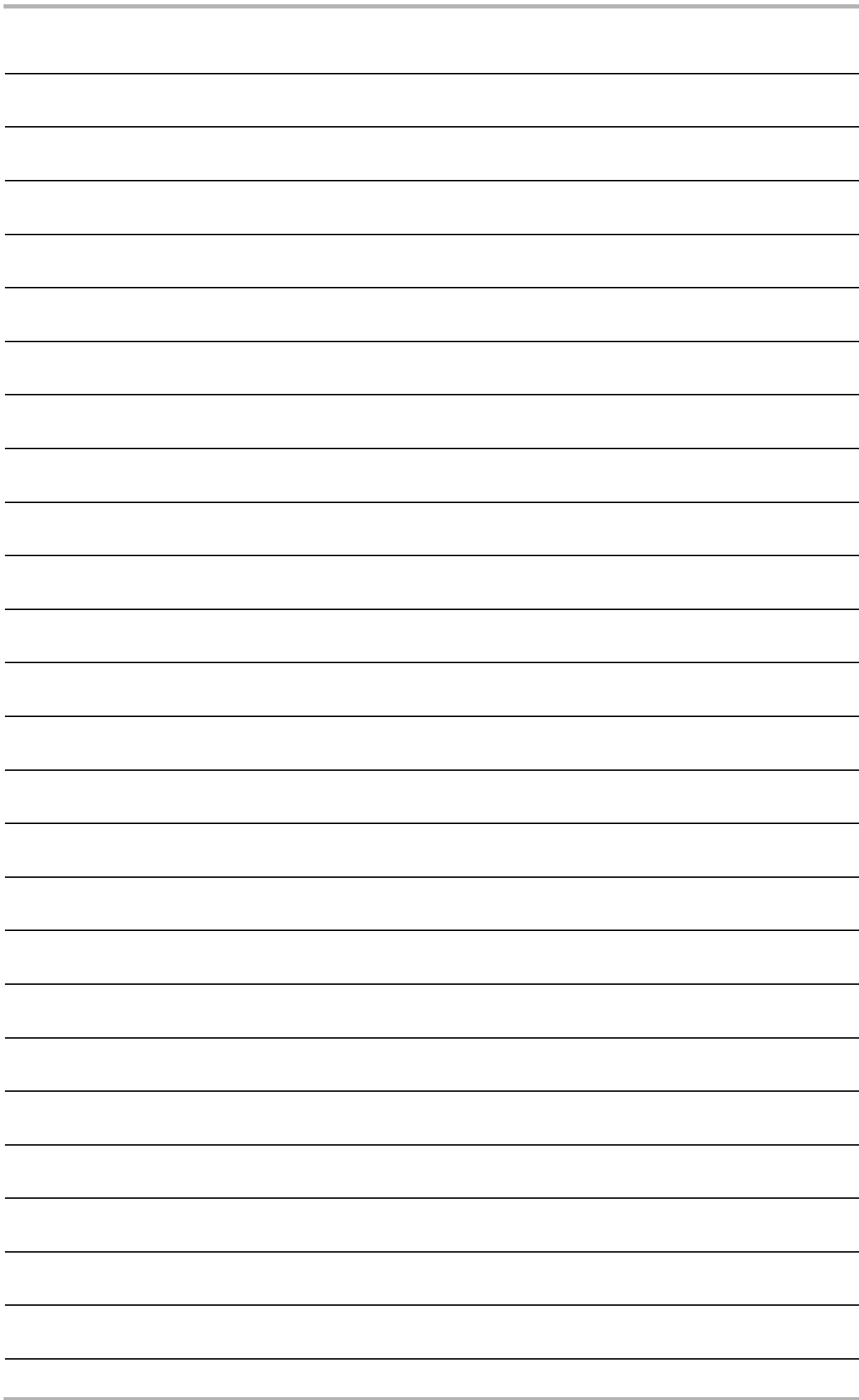
6. SEAL SET



R060012

Item	Description	Part no.	Specification	Note	Qty
Kit	Seal set (incl. parts 1-11)	157280			1
1	O-ring	90015	D26		1
2	O-ring	90017	D34		4
3	Supporting ring	950026	D34		4
4	O-ring	902603	D169		1
5	O-ring	90030	D75		1
6	Seal	951925			1
7	Seal	951891			2
8	Seal	951479	D18		1
9	O-ring	901942	D16		6
10	O-ring	90013	D174		1
11	O-ring	94091	D39		2





Sandvik Tamrock Corp., Breakers Lahti
Taivalkatu 8, P.O. Box 165, FIN-15101 Lahti, Finland
Phone Int. +358 205 44 161, Telefax Int. +358 205 44 160
www.rammer.com