

**PARTS LIST**

**RAMMER S 52**

**SERIAL NO.**

**52A01XXX-UP**

**52A01XXX/A01-UP**

**52AXA0005-UP**

**52AAA0005-UP**



---

# **RAMMER S 52**

**SERIAL NO.**

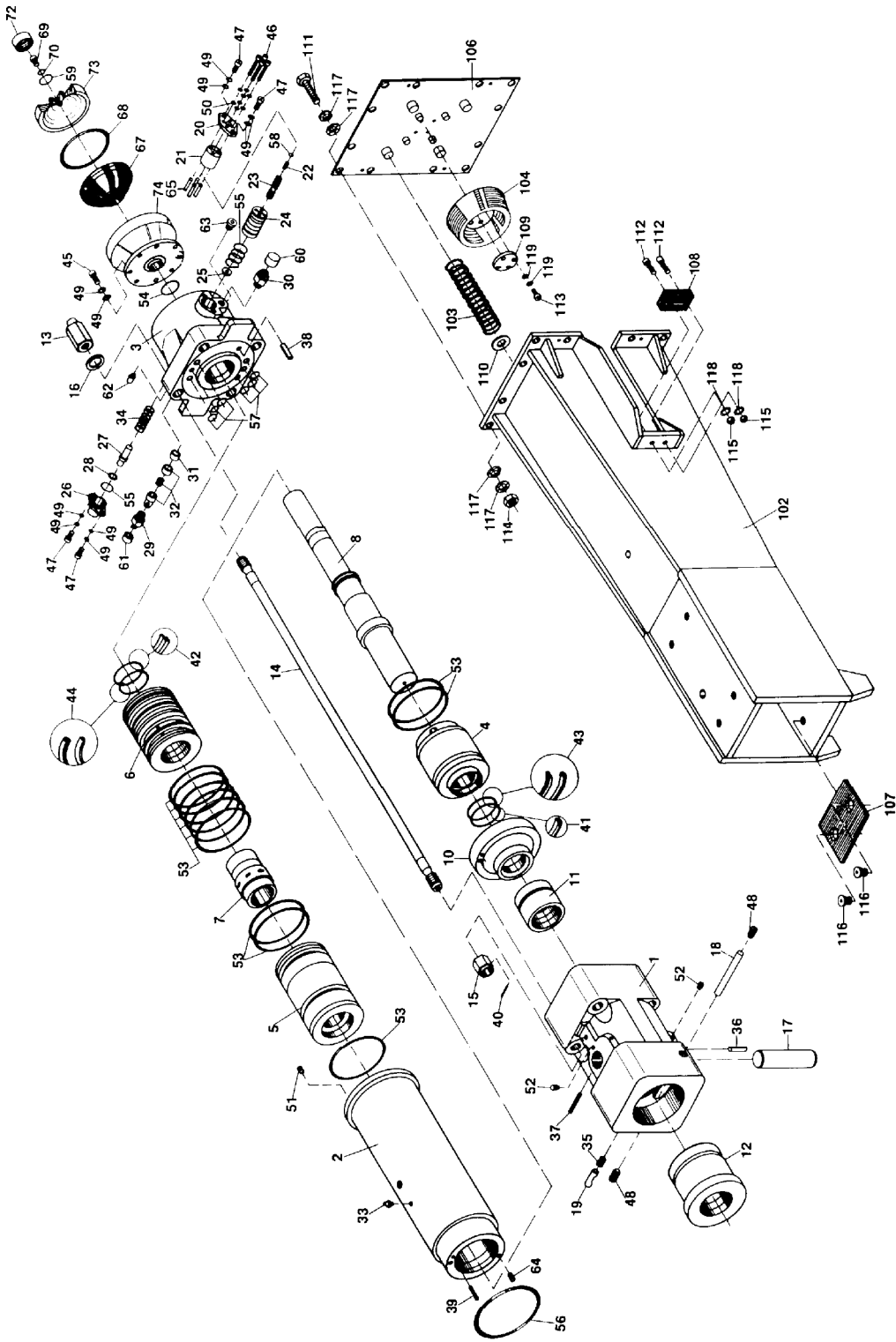
**52A01XXX-UP**

**52A01XXX/A01-UP**

**52AXA0005-UP**

**52AAA0005-UP**

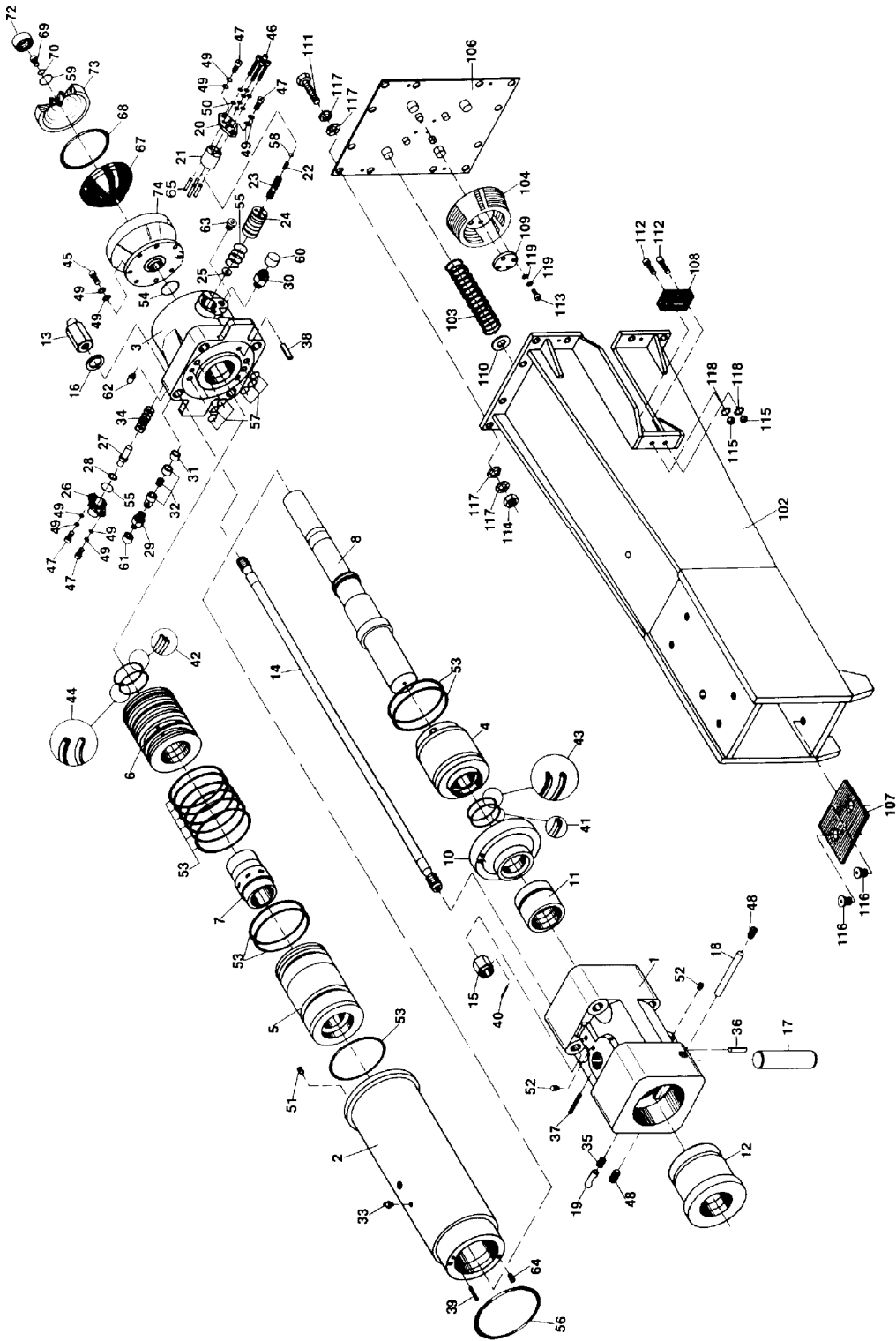
# RAMMER S 52



T 6099

ITEM	NAME	PART NO.	SPECIFICATION	NOTE	PCS
1	Front cylinder	60 119			1
2	Cylinder	10 755			1
3	Cover	60 118			1
4	Front bushing	10 756			1
5	Middle bushing	10 757			1
6	Rear bushing	10 758			1
7	Distributor	20 658			1
8	Piston	10 759			1
10	Ring	20 656			1
11	Upper tool bushing	41 682			1
12	Lower tool bushing	20 661			1
13	Guide nut	31 076			4
14	Tie rod	20 660			4
	Tie rod complete	31 048			4
	incl. parts 13, 15, 16, 40				
15	Nut	31 081			4
16	Washer	41 681			4
17	Tool retaining pin	41 680			1
18	Tool bushing retaining pin	41 677			1
19	Pin	41 678			1
20	Flange	41 679			1
21	Guide	31 082			1
22	Spool	31 080	D 6 mm		1
23	Spool	31 079	D 18 mm		1
24	Guide	31 084			1
25	Ring	41 690			1
26	Cover	31 051			1
27	Guide	41 695			1
28	Shim set	41 696			1
29	Adaptor	31 050			1
30	Adaptor	31 049			1
31	Bushing	41 697			1
32	Check valve	90 949	Rexroth NS 20		1
33	Grease nipple	90 201	AR 1/8" DIN 71412		1
34	Spring	41 756			1
35	Spring	41 662			1
36	Split pin	90 318	D 10x40 DIN 1481		1
37	Split pin	90 325	D 10x80 DIN 1481		1
38	Split pin	90 324	D 13x60 DIN 1481		1
39	Split pin	90 323	D 13x80 DIN 1481		1
40	Split pin	90 322	D 5x45 DIN 1481	*	4
41	Wiper	94 043		*	1
42	Wiper	94 042		*	1
43	Seal	94 041		*	1
44	Seal	94 040		*	1
45	Hex. screw	90 513	M12x30 8.8 DIN 933-A3G		8
46	Hex. socket screw	91 015	M8x70 12.9 DIN 912-A3G		4

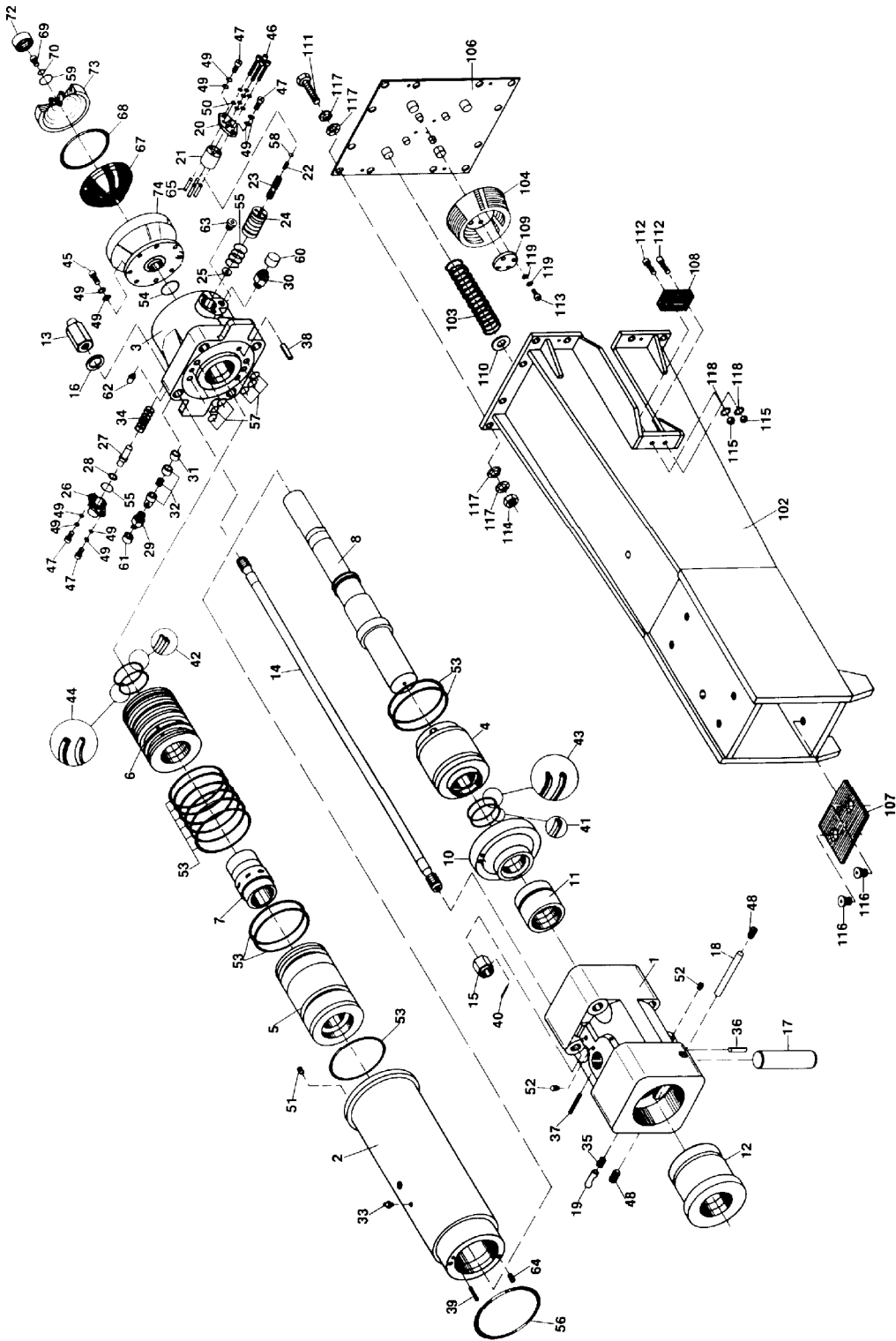
# RAMMER S 52



T 6099

ITEM	NAME	PART NO.	SPECIFICATION	NOTE	PCS
47	Hex. socket screw	91 014	M12x25 8.8 DIN 912-A3G		4
48	Retaining screw	91 013	M24x30 DIN 913		2
49	Locking washer	91 012	Nord-lock M12		24
50	Locking washer	91 011	Nord-lock M8		8
51	Plug	42 212			1
52	Plug	93 098	M12x1,5 DIN 906		3
53	O-ring	94 039	D 151,99x3,53 90 Sh A	*	11
54	O-ring	94 038	D 54,2x3 90 Sh A	*	1
55	O-ring	90 007	D 44,2x3 90 Sh A	*	5
56	O-ring	94 037	D 217x5 70 Sh A	*	1
57	O-ring	90 015	D 26,2x3 90 Sh A	*	6
58	O-ring	94 035	D 13,2x2,4 90 Sh A	*	1
59	O-ring	94 014	D 42x4 70 Sh A	*	1
60	Plug	93 097	Hi-Flex 6851060-1		1
61	Plug	93 096	Hi-Flex 6851040-3/4		1
62	Air filter	90 955	RA 032/R1/4" C-matic		1
63	Bleed plug	41 658			1
64	Plug	93 102	M14x1,5 DIN 906		1
65	Spacing tube	40 0450			4
66	Accumulator, complete	31 083			1
	Incl. parts 59, 67, 68, 69, 70, 72, 73, 74				
67	Membrane	31 077			1
68	Support ring	41 683			1
69	Filling plug	41 661		*	1
70	Seal	94 028		*	1
72	Plug	93 090			1
73	Accumulator cover	20 657			1
74	Accumulator body	20 659			1

# RAMMER S 52



T 60 99



ITEM	NAME	PART NO.	SPECIFICATION	NOTE	PCS
	Hydraulic hammer				
	side mounting	10 747			1
101	Hammer	60 116			1
102	Housing	10 760			1
	Housing, side mounting	10 750			1
103	Spring	31 098			4
104	Buffer	31 059			1
105	Upper plate, side mounting	31 045			1
106	Guide plate	31 044			1
107	Wear plate	31 062			4
108	Buffer pad	41 675			2
109	Fastening plate	41 693			1
110	Washer	41 681			4
111	Hex. screw	91 022	M20x90 DIN 931		12, <u>22</u>
112	Hex. socket screw	91 021	M12x50 8.8 DIN 912		4
113	Hex. socket screw	91 020	M8x25 DIN 912		4
114	Hex. nut	91 017	M20 8 DIN 934-A3F		12, <u>22</u>
115	Nyloc-nut	91 019	M12 DIN 985		4
116	Countersunk screw	41 694	M24x40		8
117	Locking washer	91 010	Nord-lock M20		48, <u>88</u>
118	Spring washer	91 018	A12DIN 127-A3G		4
119	Locking washer	91 011	Nord-lock M8		8
	Seal set, complete	41 861			
	Label set	200 227			

\*) Are included in seal set

Underlined quantity when side mounting.





**RAMMER OY**  
Taivalkatu 8, P.O. Box 100, FIN-15201 Lahti, Finland  
Phone Int. +358 18 86 111, Telefax Int. +358 18 752 0325, Telex 16265 ram fi