

PARTS LIST

RAMMER S 55

SERIAL NO.

55A03XXX-UP

55A03XXX/A01-UP

55AXA0005-UP

55AAA0005-UP

RAMMER S 55

SERIAL NO.

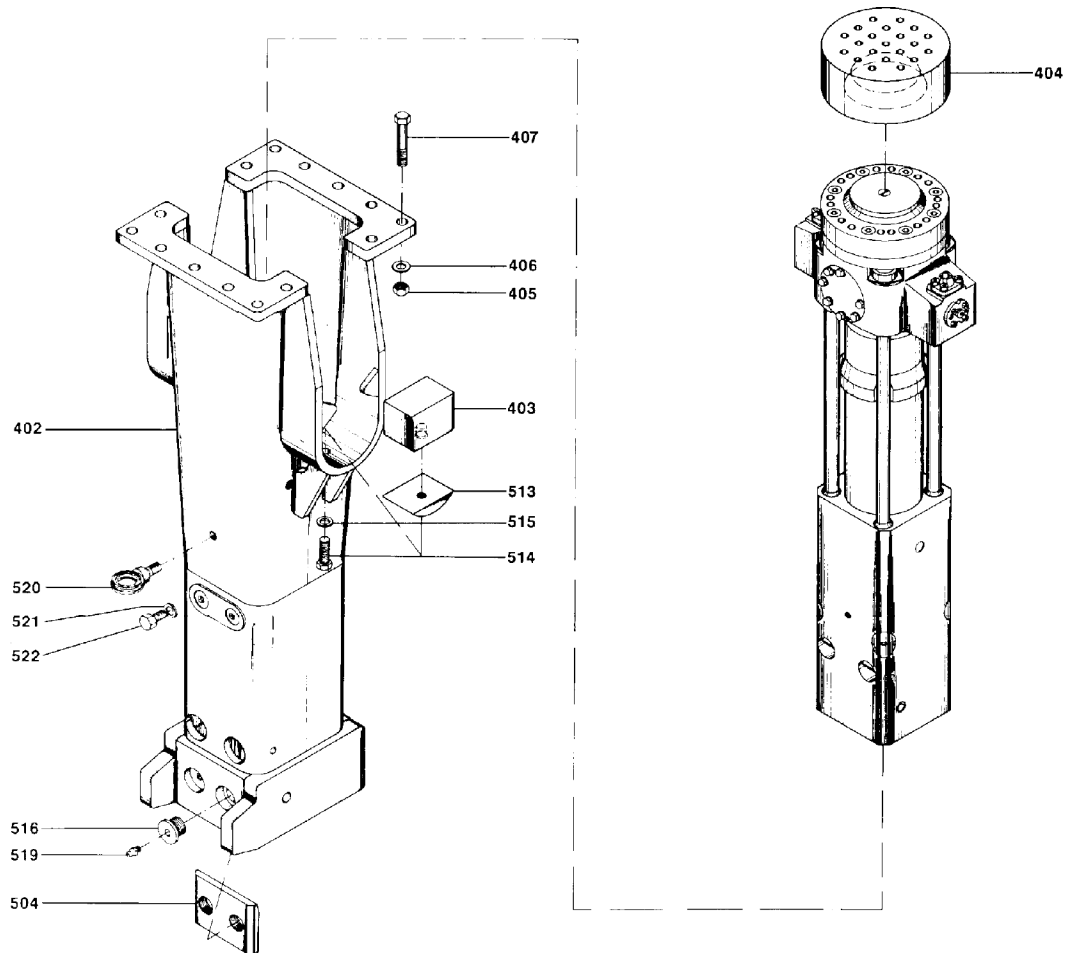
55A03XXX-UP

55A03XXX/A01-UP

55AXA0005-UP

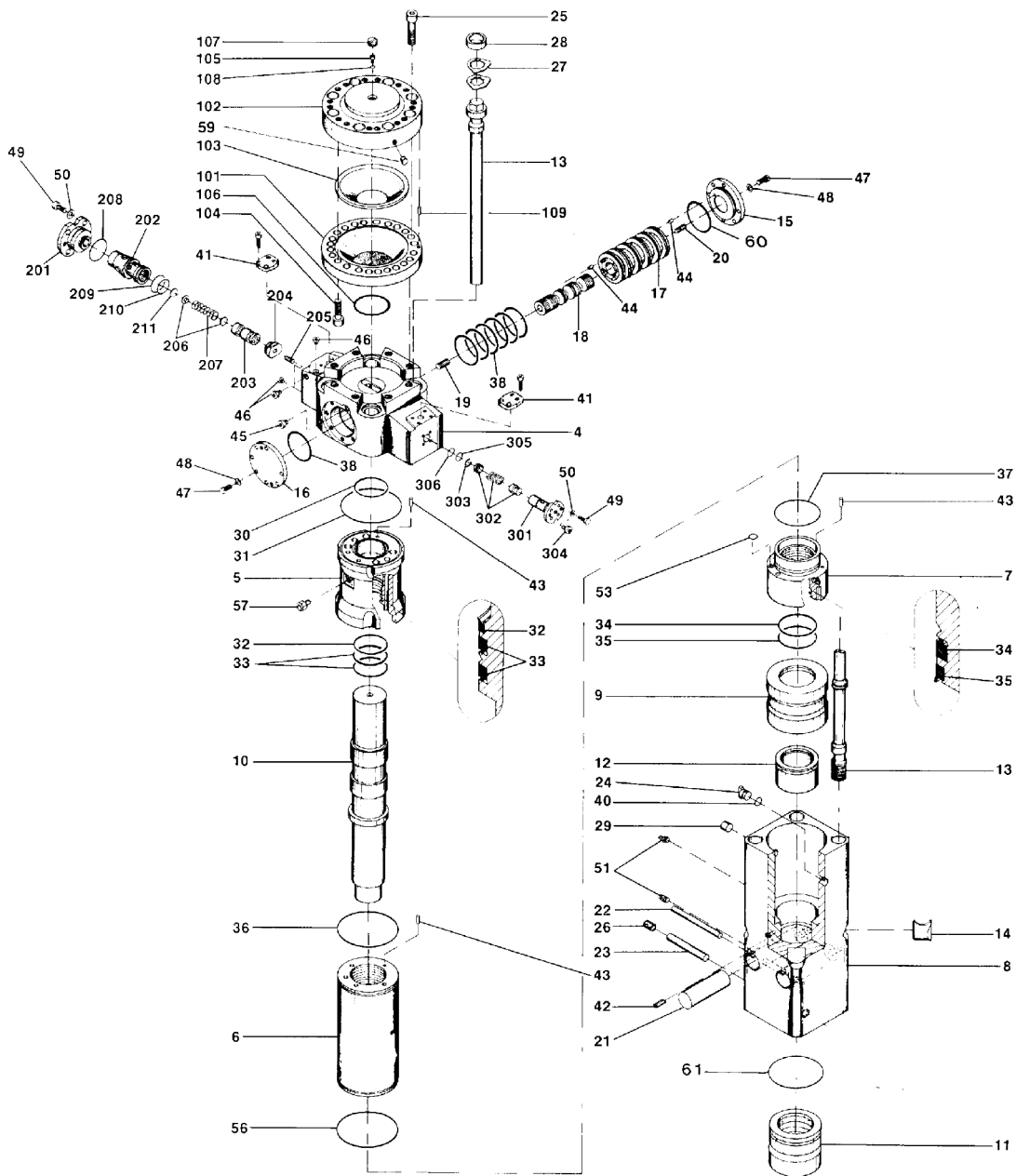
55AAA0005-UP

RAMMER S 55 HOUSING UNIT



ITEM	NAME	PART NO.	SPECIFICATION	NOTE	PCS
402	Housing incl. parts 504 - 522	10 0318			1
403	Buffer	30 0522			2
404	Buffer	30 0521			1
405	Hex. nut	90 507	M24-8DIN985		14
406	Washer	90 511	25DIN6916		14
407	Hex. screw	90 589	M24x110-12.9DIN931		14
504	Wearing plate	30 0482			4
513	Support plate	40 0349			2
514	Hex. screw	90 0007	M24x80-8.8DIN933		2
515	Washer	90 3001	B26DIN7989		2
516	Screw	40 0347			8
519	Grease nipple	90 201	AR1/8" DIN71412		8
520	Lifting eye	90 605	M24DIN580		1
521	Washer	91 130	26DIN126		1
522	Hex. screw	90 0019	M24x50-8.8 DIN933		1

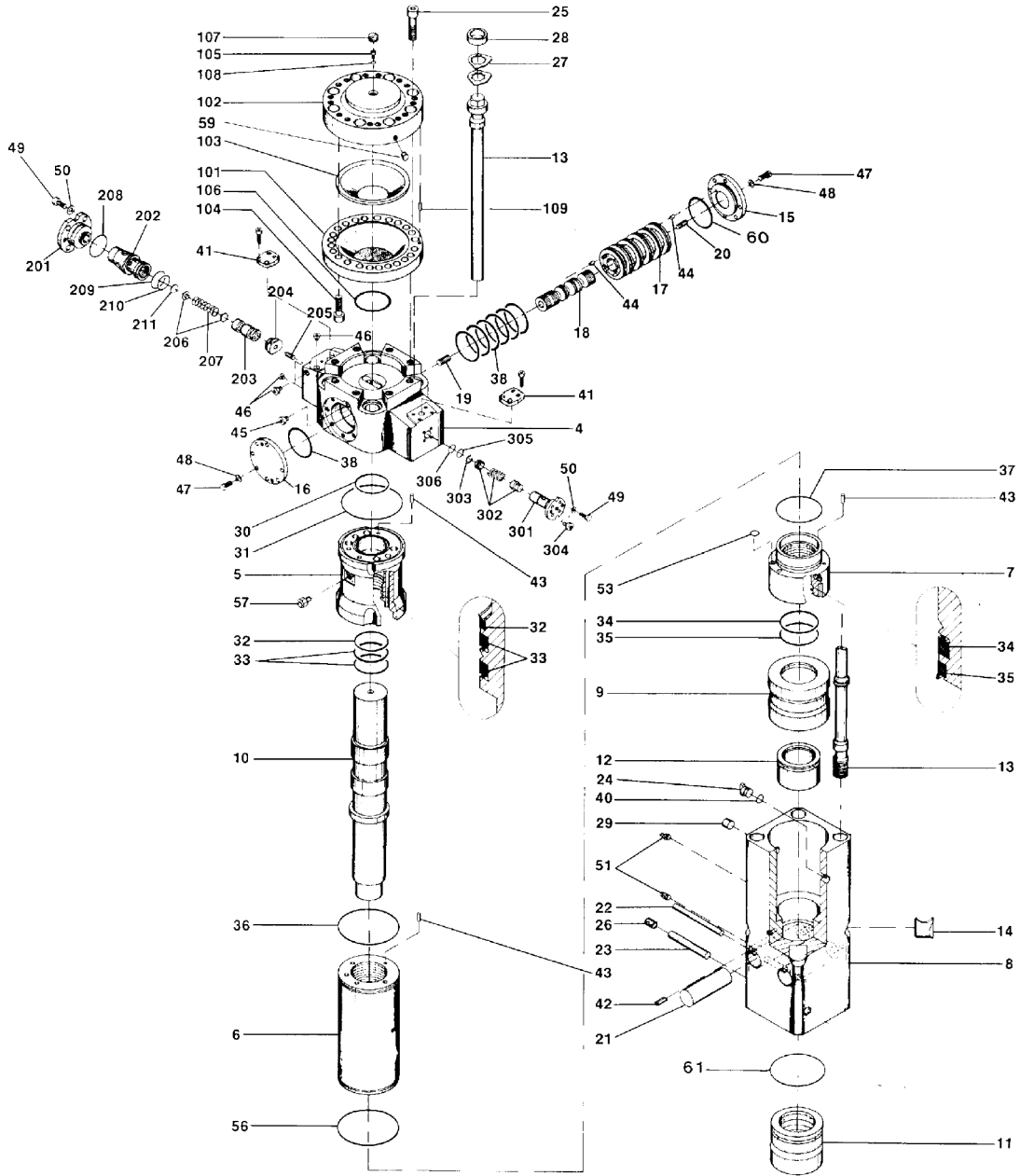
RAMMER S 55 HAMMER MECHANISM



T6243

ITEM	NAME	PART NO.	SPECIFICATION	NOTE	PCS
1	Accumulator, complete Incl. parts 101 - 109	30 0468			1
2	Pressure control valve, compl. Incl. parts 201 - 211	30 0442			1
3	Check valve, complete Incl. parts 301 - 306	40 587			1
4	Valve body	10 0307			1
5	Seal carrier, upper	10 0297			1
6	Cylinder	10 0315			1
7	Seal carrier, lower	10 0296			1
8	Front end	10 0302			1
9	Thrust ring	20 0256			1
10	Piston	10 0308			1
11	Lower tool bushing, hard	20 0298			1
11	Lower tool bushing, standard	20 0253			1
12	Upper tool bushing	40 0336			1
13	Tie rod	20 0371			4
14	Tie rod nut	40 0326			4
15	Cover	30 0459			1
16	Cover	30 0458			1
17	Main valve bushing	10 0299			1
18	Spool	30 0460	D 50		1
19	Spool	40 111	D 20		1
20	Spool	40 0325	D 14		1
21	Retaining pin	40 0315	D 60		2
22	Retaining pin	40 0317	D 20		1
23	Retaining pin	40 0323	D 25		1
24	Wedge	40 110			1
25	Hex. socket screw accumulator	301021			8
26	Split pin	901136	D25x50		1
27	Locking ring	40 0480			8
28	Rubber ring	40 0343			4
29	Plug	40 116			1
30	Seal	40 0330		*	1
31	Seal	40 0332		*	1
32	Wiper	91 1017		*	1
33	Seal	91 1015		*	2
34	Seal	91 1016		*	1
35	Wiper	91 1018		*	1
36	Seal	40 0341		*	1
37	Seal	40 0339		*	1
38	Seal	90 020		*	6
40	O-ring	90 000	D 24.2x3-90 Sh A	*	1
41	Closed flange	91 5063			2
42	Split pin	90 321	D 12		1
43	Parallel pin	90 342	D 10		3

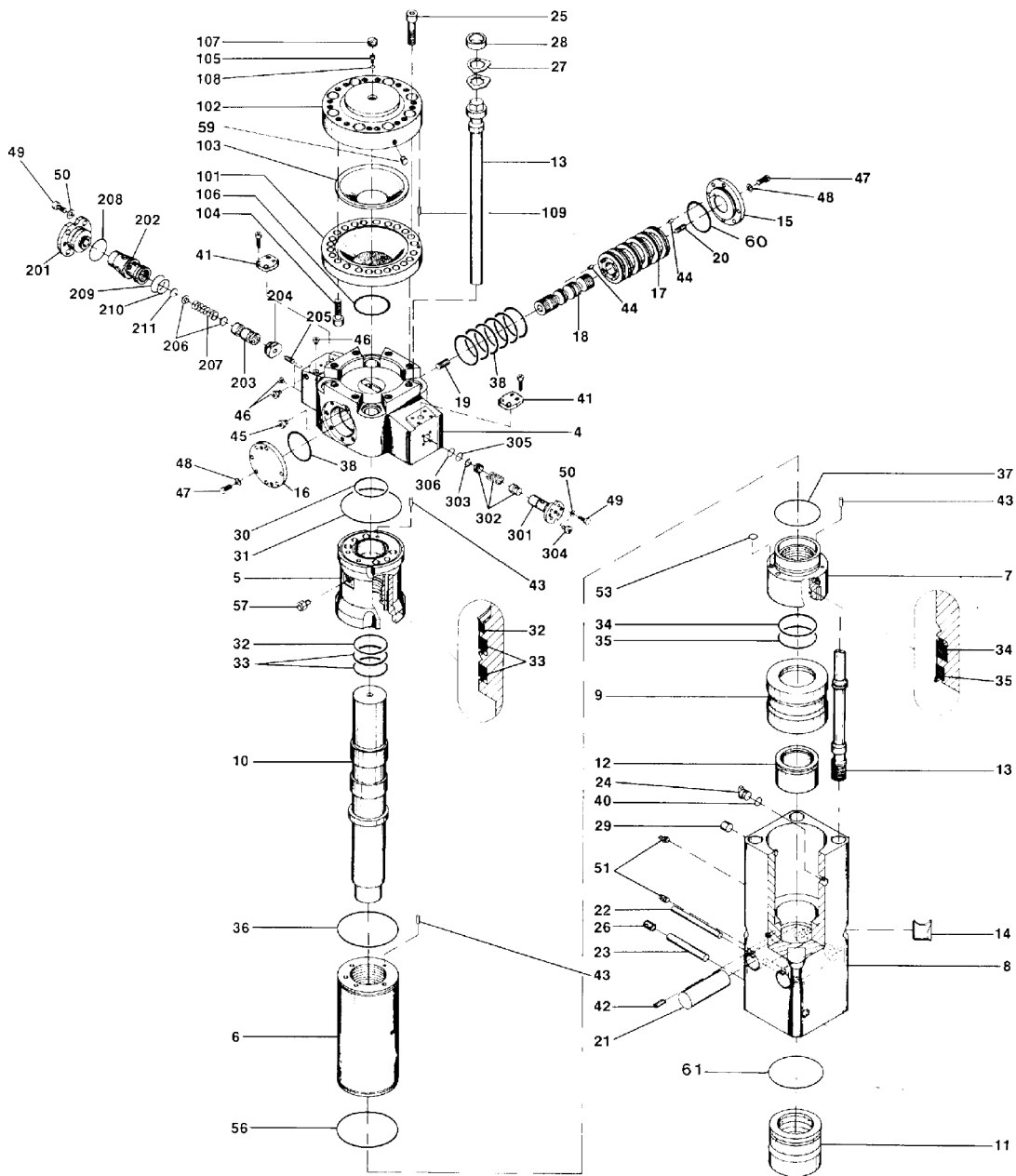
RAMMER S 55 HAMMER MECHANISM



T6243

ITEM	NAME	PART NO.	SPECIFICATION	NOTE	PCS
44	Split pin	90 4004	D 6		2
45	Plug	90 401	3/4"		1
46	Plug	90 403	1/4"		4
47	Hex. screw	90 0023	M12x30-10.9 DIN 933		14
48	Locking washer	91 012	M12 Nord-lock		14
49	Hex. screw	90 517	M16x35-8.8 DIN 933		8
50	Locking washer	90 597	M16 Nord-lock		8
51	Grease nipple	90 200	AR1/4" DIN 71412		2
53	O-ring	94 035	D 13.3x2.4-90 Sh A	*	1
56	O-ring	94 133	D 189.2x5.7-90 Sh A	*	1
57	Breather	91 5045	RA 032/R1/2" C-matic/JKV		1
59	Protective plug	91 5048	GPN 350I23 KAPSTO		4
60	O-ring	90 005	D 104.5x3-90 Sh A	*	2
61	O-ring	90 1130	D 160.0x3.0 70 Sh A	*	1
101	Accumulator bottom	10 0303			1
102	Accumulator cover	10 0306			1
103	Membrane	30 211			1
104	Hex. socket screw	40 416	M22x1.5		16
105	Screw	40 368			1
106	Seal	40 104		*	1
107	Plug	40 537			1
108	Usit-ring	90 056	U8.7-14-1	*	1
109	Parallel pin	90 304	D 10		2
201	Cover	30 0445			1
202	Guide	30 0443			1
203	Spool	30 0444			1
204	Guide	40 0320			1
205	Spool	40 0321			1
206	Spring guide	42 174			2
207	Spring	92 0009			1
208	O-ring	90 030	D 74.5x3-90 Sh A	*	1
209	Seal	40 533		*	1
210	Seal	41 374		*	1
211	Adjustment plate	42 361	s = 1.5		x
		42 362	s = 1.25		x
		42 363	s = 0.9		x

RAMMER S 55 HAMMER MECHANISM



T6243

ITEM	NAME	PART NO.	SPECIFICATION	NOTE	PCS
301	Check valve housing	30 272			1
302	Check valve assembly	90 432			1
303	Spring ring	90 310	B38DIN7993		1
304	Plug	90 403	1/4"		1
305	O-ring	90 031	D46.2x3-90 Sh A	*	1
306	O-ring	90 007	D44.2x3-90 Sh A	*	1

Seal set, complete 40 0404

Label set 200 301

*) Are included in seal set

RAMMER OY
Taivalkatu 8, P.O. Box 100, FIN-15201 Lahti, Finland
Phone Int. +358 18 86 111, Telefax Int. +358 18 752 0325, Telex 16265 ram fi