

**ALLIED**



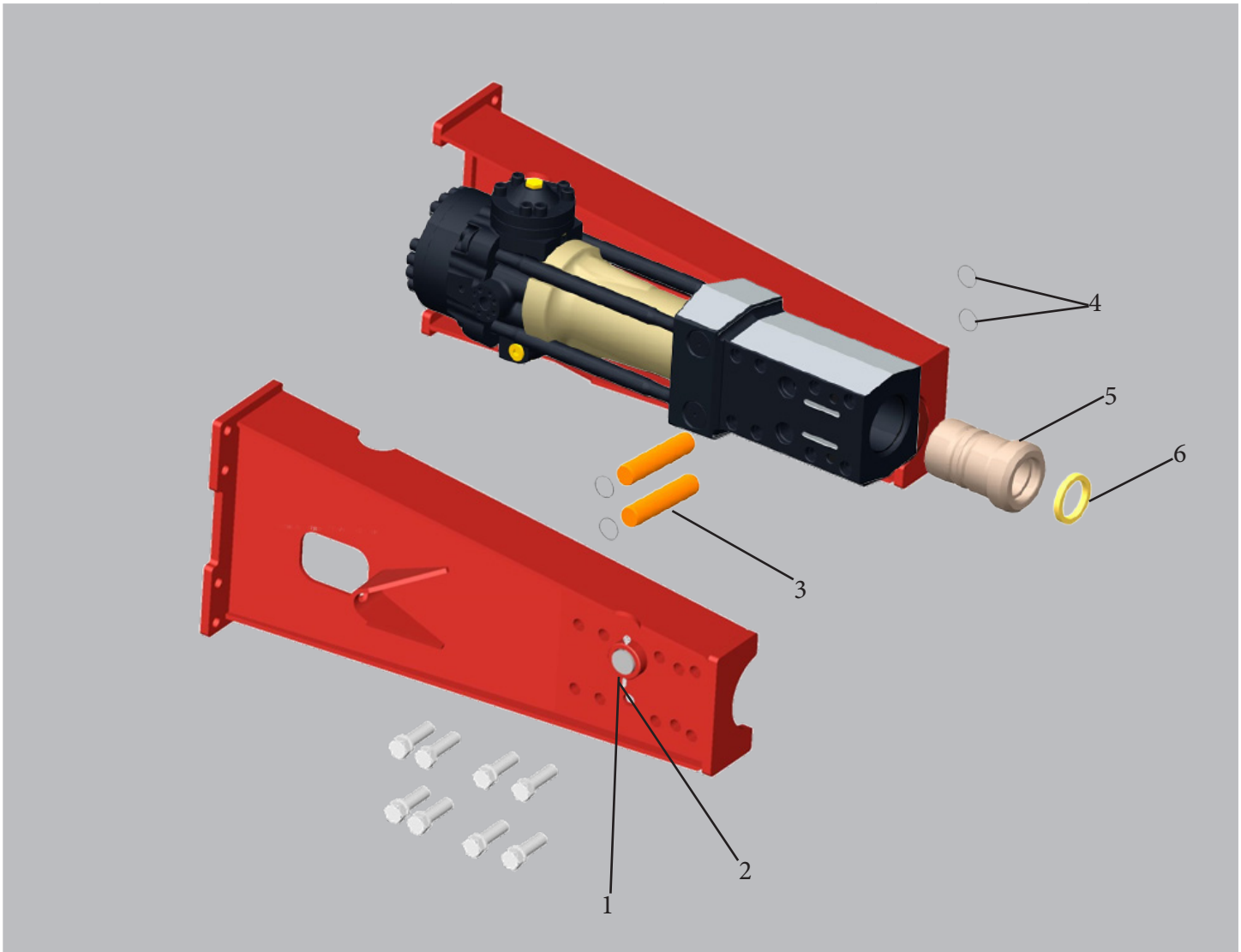
Rammer 1322  
Hydraulic Hammer  
**SUGGESTED SPARE  
PARTS GUIDE**

May 1, 2017



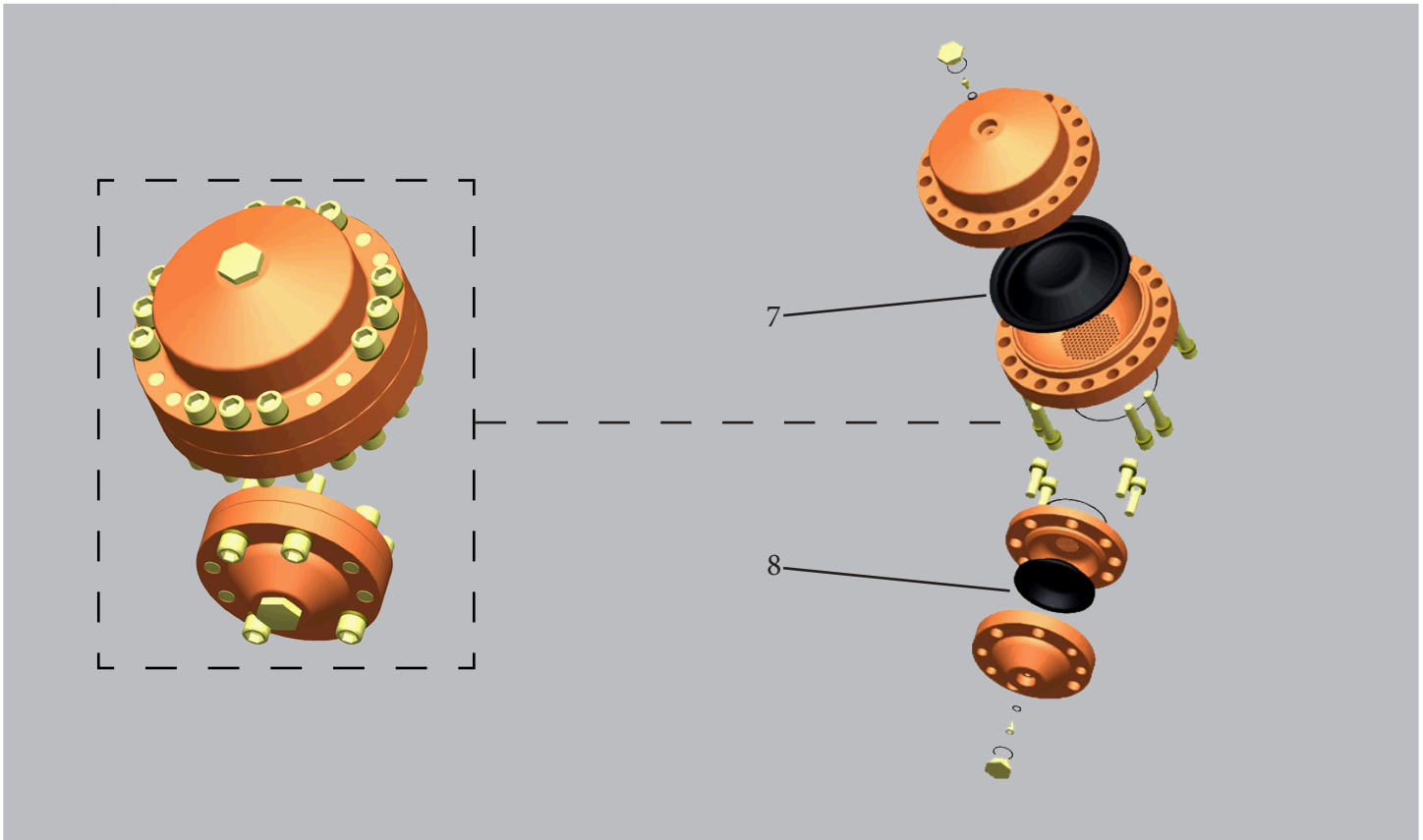
RAMMER 1322  
HYDRAULIC IMPACT HAMMER  
**SUGGESTED SPARE PARTS**

NO.	MODEL / DESCRIPTION	1322			QTY.
1	Buffer	400430			2
2	Cotter Pin	901107			2
3	Tool Retaining Pin*	300511			2
4	O-ring	90019			4
5	Lower Tool Bushing*	101025			1
6	Seal	400498			1
	Seal Set*	400668			1



THIS SUGGESTED SPARE PARTS GUIDE SUPERCEDE ALL OTHER SUCH MATERIALS.

NO.	MODEL / DESCRIPTION	1322			QTY.
7	Membrane*	300909			1
8	Membrane*	300177			1
	Service Kit	K10029			1



**DEMOLITION TOOLS**

NO.	MODEL / DESCRIPTION	1322			QTY.
	Chisel Tool	291			1
	Moil Tool	293			1
	Blunt Tool	294			1

(\* Denotes parts included in Service Kit

THIS SUGGESTED SPARE PARTS GUIDE SUPERCEDE ALL OTHER SUCH MATERIALS.