

ALLIED



Rammer 1655 / 2166 / 2577
Hydraulic Hammer

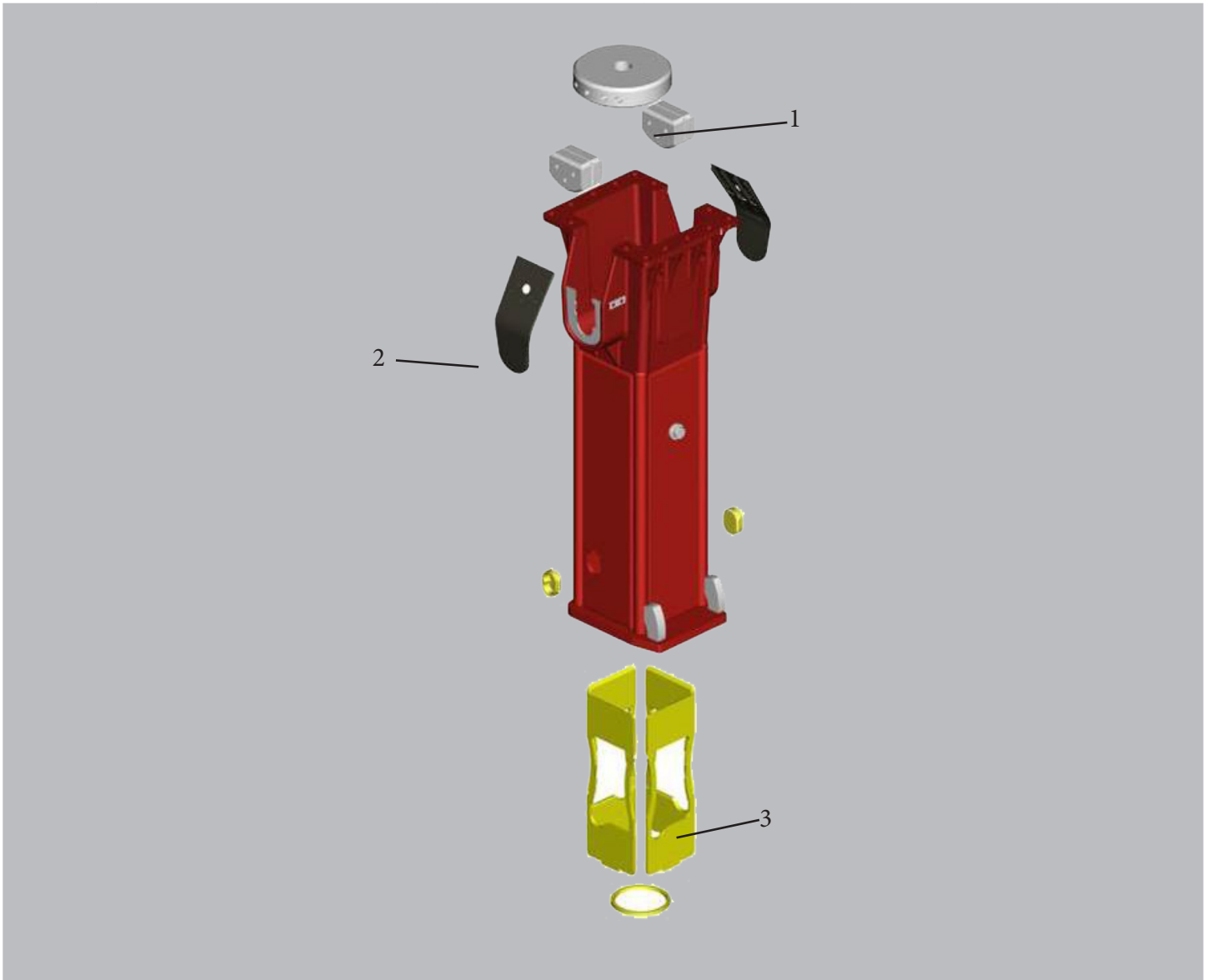
SUGGESTED SPARE PARTS GUIDE

May 1, 2017



RAMMER 1655 2166 2577
HYDRAULIC IMPACT HAMMER
SUGGESTED SPARE PARTS

NO.	MODEL / DESCRIPTION	1655	2166	2577	QTY.
1	Upper Buffer	300767	301000	301000	1
2	Shield Plate	162840	162381	162381	2
3	Wear Plate	162827	162654	162488	4

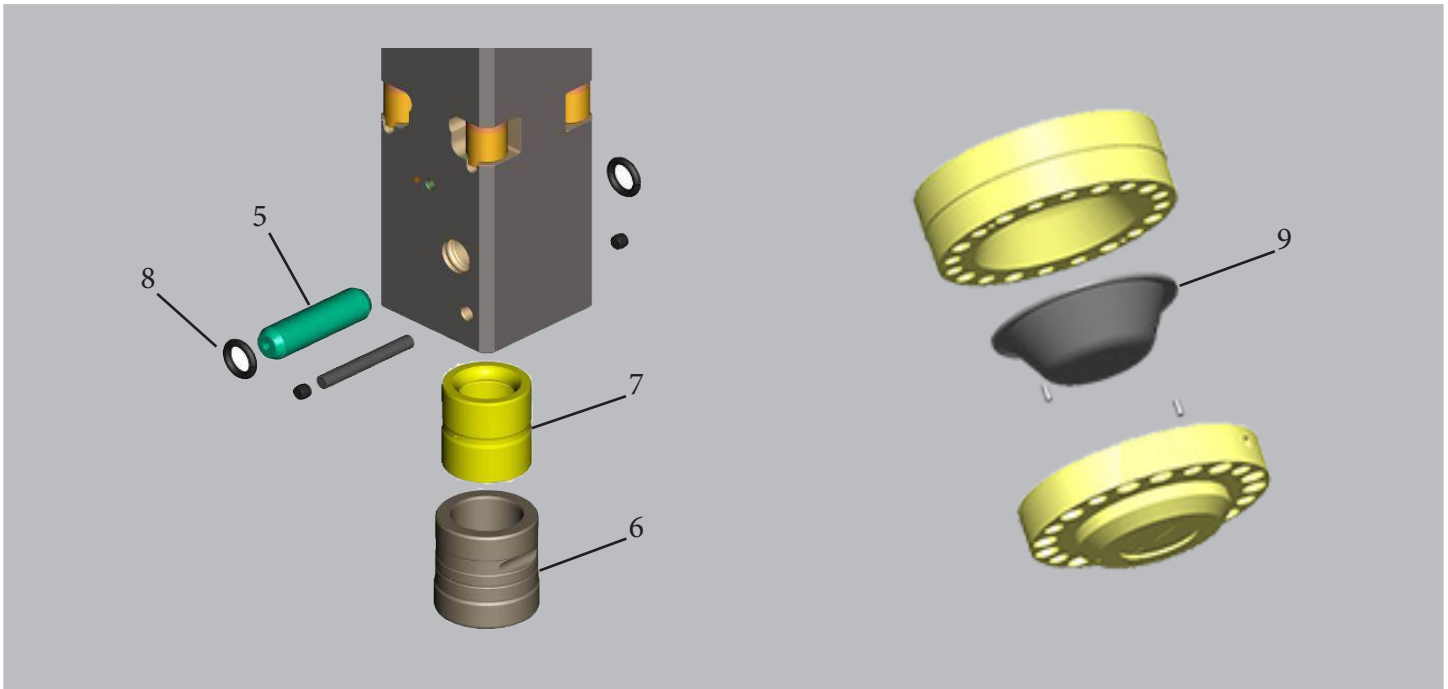


THESE SUGGESTED SPARE PARTS GUIDES SUPERCEDE ALL OTHER SUCH MATERIALS.



RAMMER 1655 2166 2577
HYDRAULIC IMPACT HAMMER
SUGGESTED SPARE PARTS

NO.	MODEL / DESCRIPTION	1655	2166	2577	QTY.
5	Tool Retaining Pin*	153538	162083	160942	1
6	Lower tool bushing*	163244	163248	163214	1
7	Upper tool bushing	162229	162136	160940	1
8	Tool Ring	153539	153044	153236	2
9	Membrane*	20604	30211	30211	1
	Seal set*	162382	163733	162783	1
	Service kit*	165607	165605	K12577	1



DEMOLITION TOOLS

NO.	MODEL / DESCRIPTION	1655	2166	2577	QTY.
	Chisel Tool	BB491	BB651	771	1
	Moil Point	BB493	BB653	773	1
	Blunt Tool	BB494	BB654	774	1

(*) Denotes parts included in Service Kit

THESE SUGGESTED SPARE PARTS GUIDES SUPERCEDE ALL OTHER SUCH MATERIALS.