

ALLIED



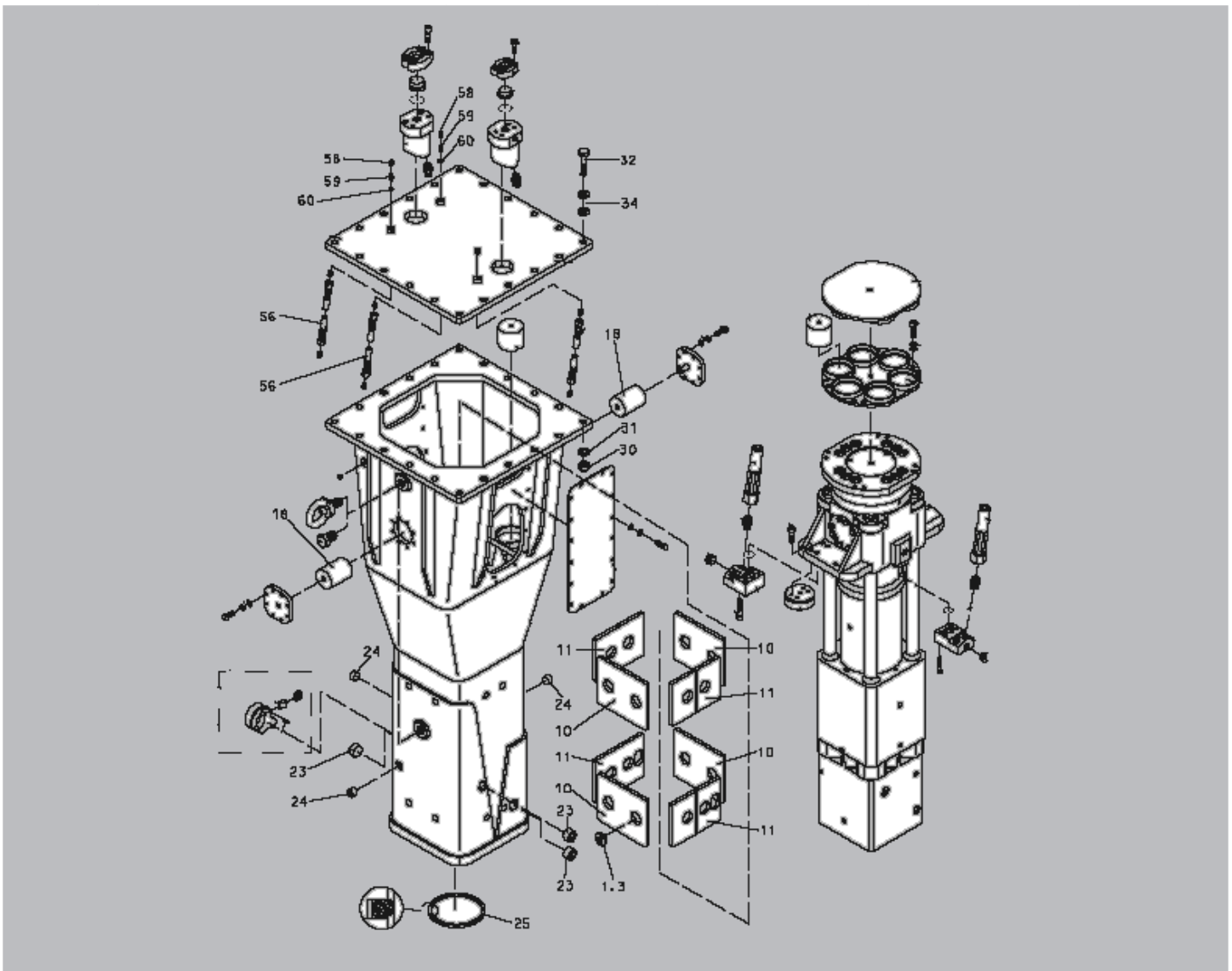
Rammer 7013
Hydraulic Hammer
**SUGGESTED SPARE
PARTS GUIDE**

May 1, 2017



RAMMER 7013
HYDRAULIC IMPACT HAMMER
SUGGESTED SPARE PARTS

NO.	MODEL / DESCRIPTION	7013			QTY.
10	Wear Plate	105259			4
11	Wear Plate	105260			4
18	Damper	111897			2
23	Rubber Plug	R101283			1
24	Rubber Plug	400676			3
25	Housing Seal	R103614			1
56	Grease Hose	112119			2
	Damper	920010			10

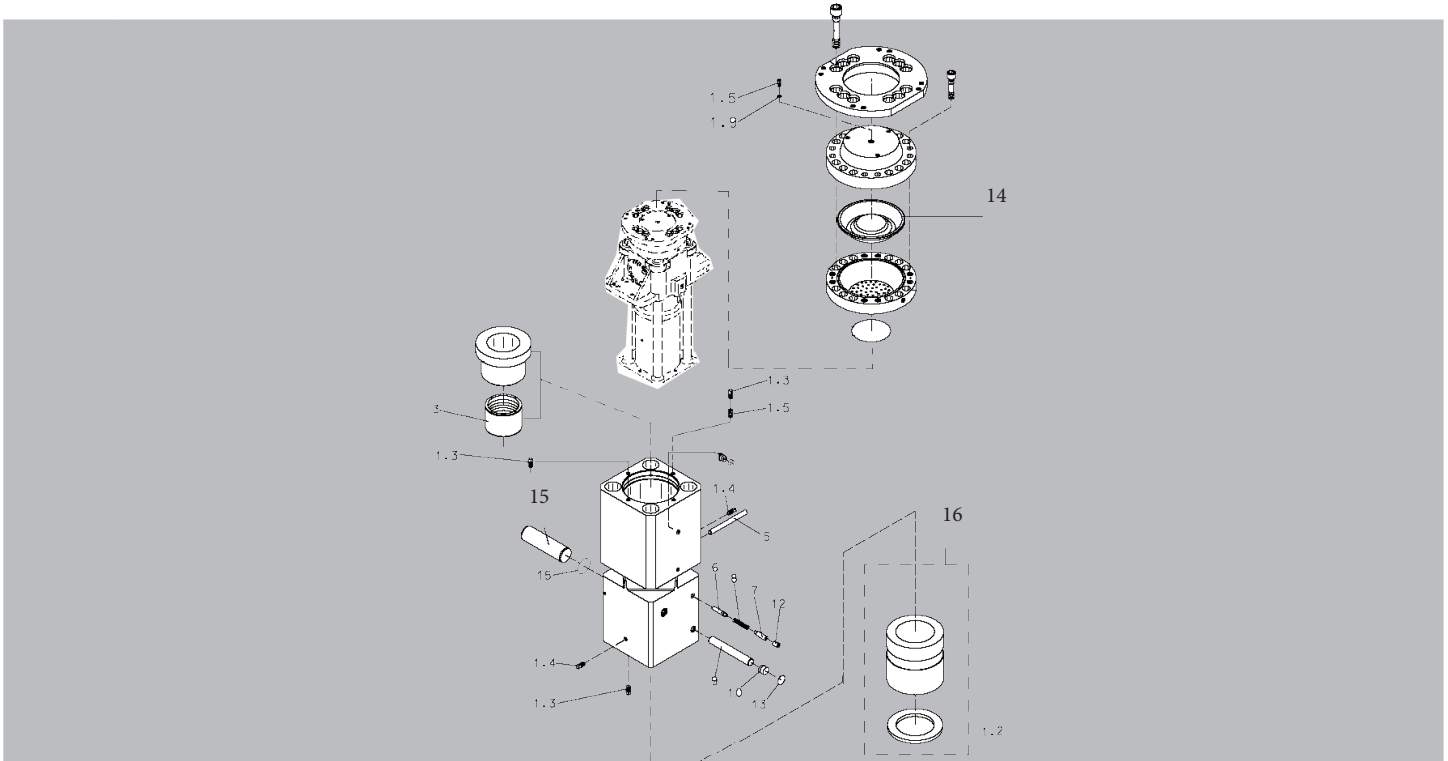


THIS SUGGESTED SPARE PARTS GUIDE SUPERCEDE ALL OTHER SUCH MATERIALS.



RAMMER 7013
HYDRAULIC IMPACT HAMMER
SUGGESTED SPARE PARTS

NO.	MODEL / DESCRIPTION	7013			QTY.
3	Upper Tool Bushing	300316			1
5	Retaining Pin D 30	400416			1
9	Retaining Pin	105175			1
10	Pin	157107			2
13	Spring ring	902807			4
14	Membrane*	21035			1
15	Retaining Pin*	400040			1
16	Lower Tool Bushing *	105328			1
	Seal Set*	106893			1
*	Service Kit	K10130			1



DEMOLITION TOOLS

NO.	MODEL / DESCRIPTION	7013			QTY.
	Cross Cut Chisel Tool	131			1
	Blunt Tool	134			1

(* Denotes parts included in Service Kit

THIS SUGGESTED SPARE PARTS GUIDE SUPERCEDE ALL OTHER SUCH MATERIALS.